

Safety tripod TM 9 is a component of personal protective equipment against fall from a height. It is used as a portable anchor point.

Safety tripod TM 9 has been tested according EN 795 as a transportable temporary anchorage device class B.

Tripod TM 9 has to be used in conjunction with fall arrest equipment.

Telescopic legs allow to adjust tripod's height.

Tripod TM 9 can be the protection for one person only.

RANGES (Legs fully retracted ... extended)
Working Height : 147...229 cm
Legs Spacing : 119...182 cm
Diameter over which it can deploy a tripod : 140...213 cm

PARAMETERS

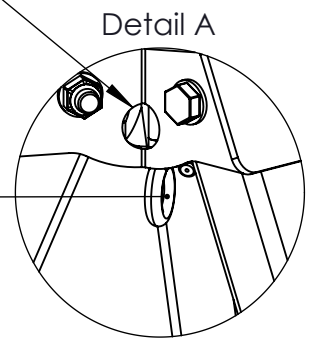
- working load limit: depends on used equipment,
- protection for maximum one person at the same time,
- head made from zinc-plated and painted steel,
- aluminium alloy legs,
- weight: 16,5 kg,
- shipping dimensions: 180 x 24 x 24 cm,
- designed to use with RUP-502 Lifting Device and CRW 300 with AT 171 fixing adaptor,
- Is approved to use in potentially explosive areas (according to PN-EN 05201 and PN-EN 05204),
- available 5 attachment points.

STANDARD: EN 795:1996+A1:2000 Class B

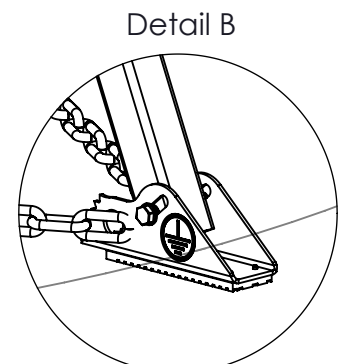
CERTIFICATION



Conformity to the 89/686/EEC Directive



Hook (eye bolt) for Pulley Installation.



New foot construction with holes for chain or webbing, More thorns for better traction on slippery surfaces (e.g. ice, snow ect.)