



## DESCRIPTION

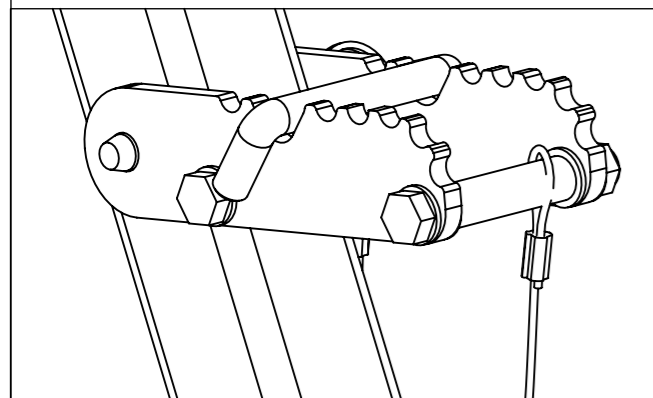
Lifting tripod TM 13-T is designed for lifting loads up to 1000kg.  
TM 13-T can be used only for lifting loads! Not for personal protective use.

Device head is equipped with two wheels provides rope guidance when RUP 502-AT or RUP 503-T lifting devices are used.  
Head is equipped with three Side Attachment Points.

Telescopic legs allow to adjust tripod's height (9 steps). Each of leg "A" are equipped with Legs Attachment Point for using with RUP 503-T lifting device. Leg "B" (without wheel on the head) is not equipped with attachment point.

Tripod can be used with Manual and Powered hoists and winches. The hoist can be mounted to the side attachment points.

DETAIL A

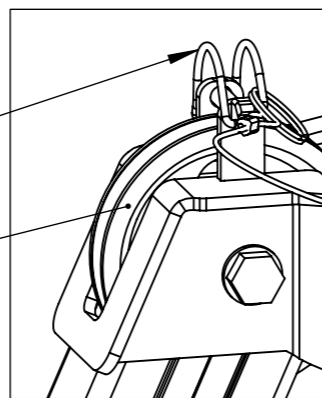


Additional Stairs can be used for easier working rope installation on the tripod head when the legs are fully extended (recommended min. 3 pcs.)

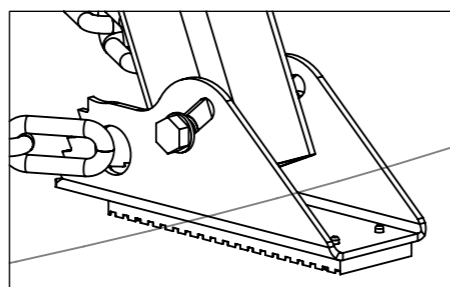
DETAIL B

Pin prevent working rope against accidental falling from wheel.

Built-in wheels for working rope guidance.



DETAIL C



Steel foot with holes for install support chain. Thorns for better transition on slippery surfaces (e.g. ice, snow ect.).

## RANGES (legs fully retracted...extended)

Working Height : 179...289 cm  
Legs Spacing : 147...232 cm  
Diameter over which it can deploy a tripod : 173...271 cm

## PARAMETERS

- Working Load Limit : 1000 kg,
- Tripod only for lifting loads,
- Available 5 Attachment Points,
- Aluminium alloy legs,
- Additional steps (min. 3 pcs.) - see Detail A,
- Head with built-in wheels for working rope guidance,
- Designed to use with: RUP 502-AT / RUP 503-T lifting devices.
- Shipping dimensions: 205 x 29,5 x 29,5 cm,
- Weight (with chain): 43 kg.

