



CHAPTER OVERVIEW

Operating Instructions

A

Spare Parts Lists

B

Options (if equipped).....

C

Attachment

D

Manufacturer in terms of 97/23/EC

The full name and address of the manufacturer is:

Lenhardt & Wagner GmbH

An der Tuchbleiche 39
68623 Hüttenfeld / Germany

Phone: +49 (0) 62 56 - 85 88 0 - 0

Fax: +49 (0) 62 56 - 85 88 0 - 14

E-Mail: service@lw-compressors.com

Internet: www.lw-compressors.com





SERVICE INFORMATION / WARRANTY

Compressor information

Type designation

Serial number

Date of construction

Purchase information

Purchase date

First commissioned on

Warranty period

Dealer's stamp

Warranty

L&W will uphold warranty claims made during a period of 12 months from the invoice date.

If the compressor was purchased from an official L&W dealer, the date on the dealer's invoice is valid. Warranty claims can only be made on presentation of the original invoice.

Should verifiably defective parts have been delivered, we will decide to either replace the parts or repair them. The resulting transport and assembly costs will be invoiced.

No reduction of the purchase price or changes to the contract can be made. The parts for which a claim is being made should be kept safe by the purchaser and, when requested, sent to us at their cost. Replaced parts become the property of L&W. If maintenance work is carried out without our knowledge or permission by the purchaser or a third party, we are absolved from any liability for warranty claims. As a matter of principle, warranty claims can only be made by the initial purchaser.

Operating Instructions

Breathing Air Compressor

LW 225 E

LW 245 B

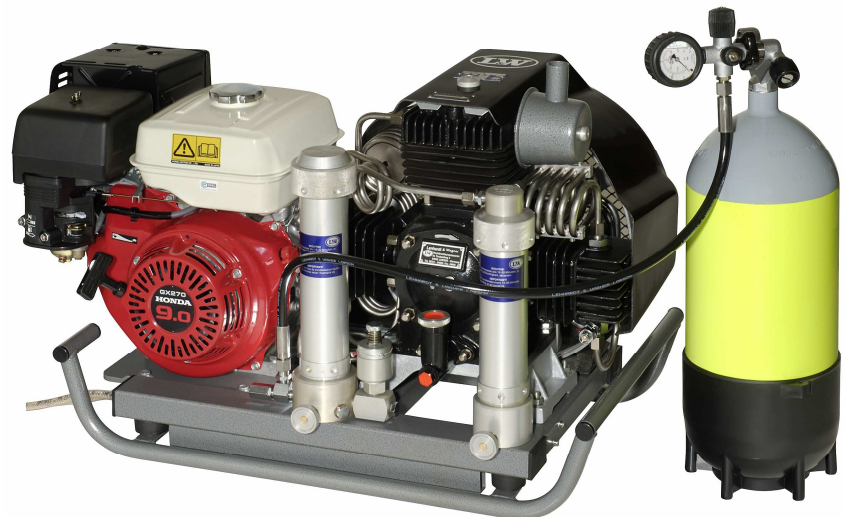




TABLE OF CONTENTS

General Information and Technical Data

General Information / Description of Warning Symbols	4
Drive motors	5
Scope of Delivery LW 225 E	6
Scope of Delivery LW 245 B	7
Technische Daten.....	8
Unit Assembly LW 225 E	9
Phase Selector Switch	10
Unit Assembly LW 245 B	11
Flow chart	12

Safety Precautions

Intended Use / Operators	14
Safety instructions on the unit	15
General Safety Precautions	16
Unit customised safety notices	17
Maintenance instructions	18
Transportation instructions / Safety regulations	19

Installation

Installation LW 225 E	21
Installation LW 245 B	22
Dimensions LW 225 E	23
Dimensions LW 245 B	24
Minimum distances	25
Ventilation LW 225 E	26
Electrical Installation LW 245 E	27 - 28

Operation

Important operation instructions.....	30
First commissioning LW 225 E	31 - 32
First commissioning LW 245 B	33
Daily commissioning.....	34
Filling procedure.....	35
Switch off the compressor.....	36

Remedying faults	38 - 41
-------------------------------	----------------

A



TABLE OF CONTENTS

Maintenance and Service

Service, Repair and Maintenance	43
Maintenance Lists / Maintenance Intervals.....	44 - 46
Service Kits LW 225 E.....	47
Service Kits LW 245 B.....	48
Check V-belt tension / Tension V-belt / Settings	49
Compressor lubrication / Check oil level.....	50
Oil change	51
Manual condensation dump system	52
Oil / water separators 2nd stage - maintenance.....	53
Filter housing / Filter cartridge	54
Filter cartridge change.....	55
Filter housing - maintenance	56
Inlet Filter	57
Check or change filter inlet.....	58
Valve heads and valves	59
Fan protection cover dismantling / Mounting the fan protection cover	60
Replace inlet and outlet valve 1st stage	61 - 62
Replace inlet and outlet valves 2nd.....	63
Replace inlet and outlet valves 3rd	64
Safety valves	65
Pressure maintaining / non return valve.....	66
Adjust pressure maintaining valve	67
O-rings - filling valve and filling hose.....	68
Motor change.....	69
Pressure gas vessel test.....	70
Maintenance records	72 - 76

Storage

Conservation / storage of the compressor / De-conservation, commissioning.....	77
Transportation instructions / Disposal / Electric and electronic components	78

A

GENERAL INFORMATION

General Information

We strongly recommend reading this manual thoroughly prior to operation and follow all the safety precautions precisely. Damage resulting from any deviation from these instructions is excluded from warranty and liability for this product. Carry out other commissioning steps only if you have fully understood the following contents.

Before commissioning and using the unit, carry out all the essential preliminary work and measures concerning legal regulations and safety. These are described on the following pages of this operation manual.

A

Description of marks and warning signs

The following warning signs are used in this document to identify the corresponding warning notes which require particular attention by the user. The warning signs are defined as follows:



Caution

Indicates an imminently hazardous situation which, if not avoided, could result in serious injury, physical injury or death.



Warning

Indicates a potentially hazardous situation which, if not avoided, could result in physical injury or damage to the product or environment.



Note

Indicates additional information on how to use the unit.

DESCRIPTION

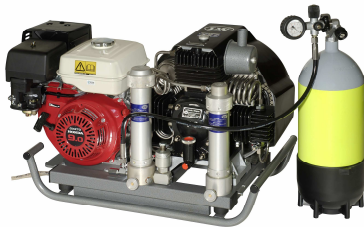
Drive motors



LW 225 E

5.5 kW E-Motor / 400V / 3 Phase / 50 Hz (or 60 Hz).

Start/Stop switch, phase selector switch, ready to connect c/w cable and 16A CEE plug.



LW 245 B

High performance 4 gear motor (6 kW) with integrated fuel tank. Pull start, auto cut off at low oil level.



DESCRIPTION

Scope of Delivery LW 225 E

User-friendly compressor with electric motor and in a compact design.
The portable LW 225 E is ideal for mobile applications or occasional filling operations.

A

Versions

Filling pressure versions:

- PN 225 bar
- PN 330 bar
- PN 225 / 330 bar

Specifications

- Electro motor (Standard: 400V, 3 phase, 50Hz)
- Power cable with plug and phase selector
- Start/Stop Switch
- Steel frame c/w carrying handles
- Manual condensate drain
- Pressure maintaining and non return valve
- 1x Filling hose c/w filling valve and pressure gauge
- Intermediate coolers
- Stainless steel pipes
- Oil- / Water separators after 2nd and 3rd stage
- Safety valves after each stage
- Filling pressure to your choice (200 or 300 bar)
- Connections to your choice (DIN 200 bar or 300 bar, CGA 200 bar or 300 bar and INT)
- Breathing air purification an accordance DIN EN 12021

Options

- Additional filling hose c/w filling valve
- Automatic condensate drain
- Automatic stop at final pressure
- Automatic start at final pressure
- Switch over device for 200 and 300 bar´
- Hour counter
- Special voltages / frequencies on request
- Conversion set: Petrol-/electro version



DESCRIPTION

Scope of Delivery LW 245 B

User-friendly compressor with 4-stroke power and in a compact design.

The portable LW 245 B is ideal for mobile applications or occasional filling operations. He is a popular compressor for expeditions and safaris.

A

Versions

Filling pressure versions:

- PN 225 bar
- PN 330 bar
- PN 225 / 330 bar

Specifications

- High performance 4 gear motor (6 kW) with integrated fuel tank. Pull start, auto cut off at low oil level
- Stainless steel frame
- Manual condensate drain
- Pressure maintaining and non return valve
- 1x Filling hose c/w filling valve and pressure gauge
- Intermediate coolers
- Stainless steel pipes
- Oil- / Water separators after 2nd and 3rd stage
- Safety valves after each stage
- Filling pressure to your choice (200 or 300 bar)
- Connections to your choice (DIN 200 bar or 300 bar, CGA 200 bar or 300 bar and INT)
- Breathing air purification an accordance to EN 12021

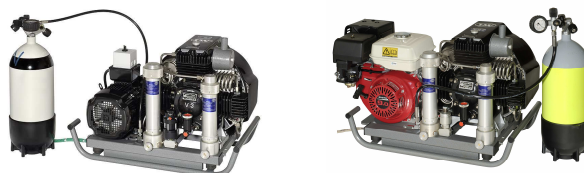
Options

- Additional filling hose c/w filling valve
- Hour counter
- Automatic stop at final pressure
- Switch over device for 200 or 300 bar
- Motor protection switch
- Conversion set: Petrol-/electro version

BESCHREIBUNG

Technische Daten

A

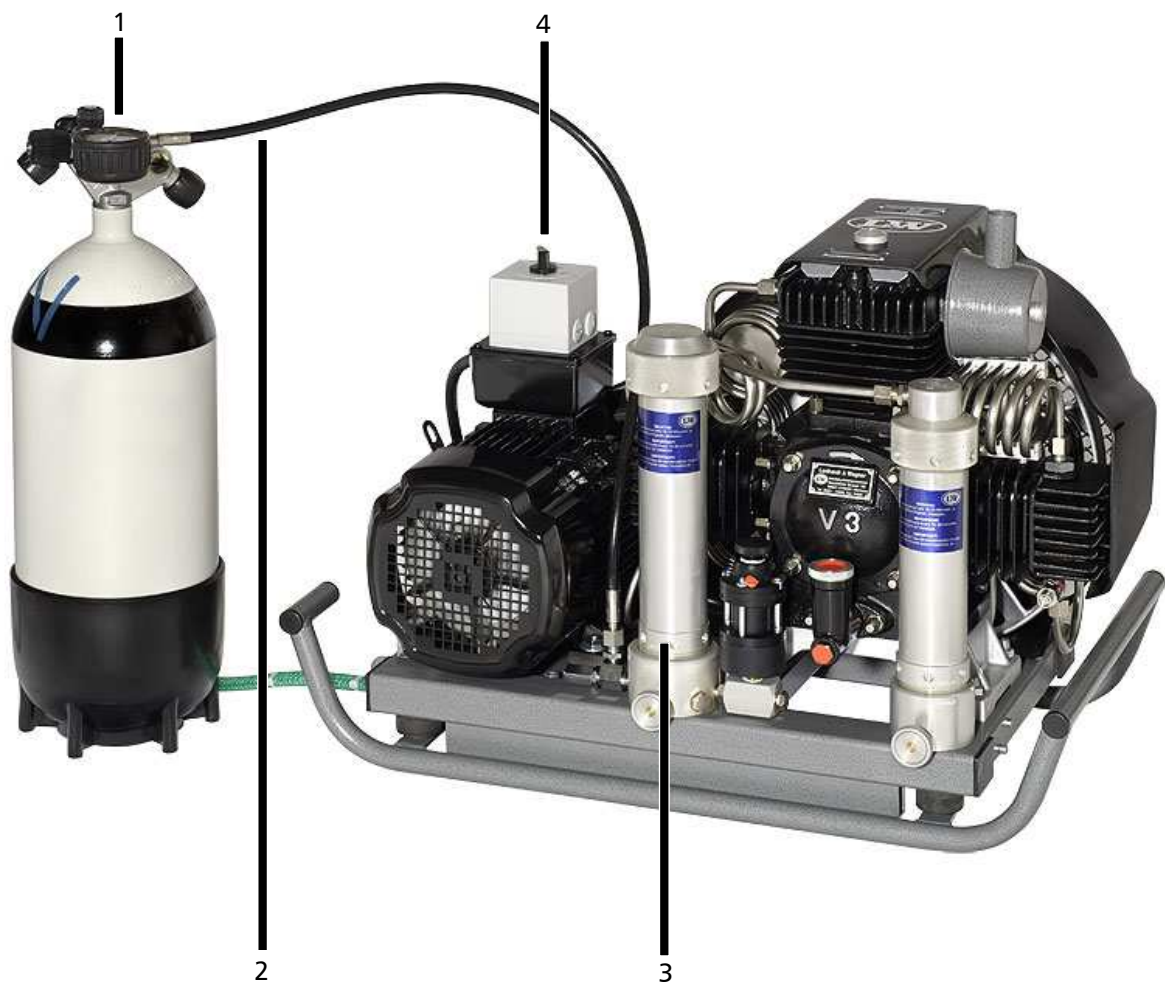


Technical Data	LW 225 E	LW 245 B
Capacity [l/min]:	225	245
Max. Operating Pressure [bar]:	330	330
RPM [min ⁻¹]:	1850	2000
Number of Pressure Stages:	3	3
Cylinder Bore 1st Stage [mm]:	Ø 75	Ø 72
Cylinder Bore 2nd Stage [mm]:	Ø 28	Ø 28
Cylinder Bore 3rd Stage [mm]:	Ø 14	Ø 14
Medium:	Industrial Air / Breathing Air	
Intake Pressure:	atmosphaeric	
Oil Capacity [l]:	0,8	0,8
Intake Temperature [°C]:	0 < +45	0 < +45
Ambient Temperature [°C]:	+5 < +45	+5 < +45
Cooling Air Volume [m ³ /h]:	> 1650	> 1800
Voltage:	400V / 3 Phase / 50 Hz	-
Protection Class Drive Motor:	IP 54	-
Drive Power [kW]:	5.5	6
RPM Motor [min ⁻¹]:	2,890	3,600
Start:	Start / Stop Switch	Hand start
Noise level [dB(A)]:	87	93
Dimensions L x W x H [mm]:	780 x 450 x 560	920 x 450 x 570
Weight [kg]:	approx 92	approx 99
Content Volume Filter housing [l]:	0.5	0.5

DESCRIPTION

Unit Assembly LW 225 E

A

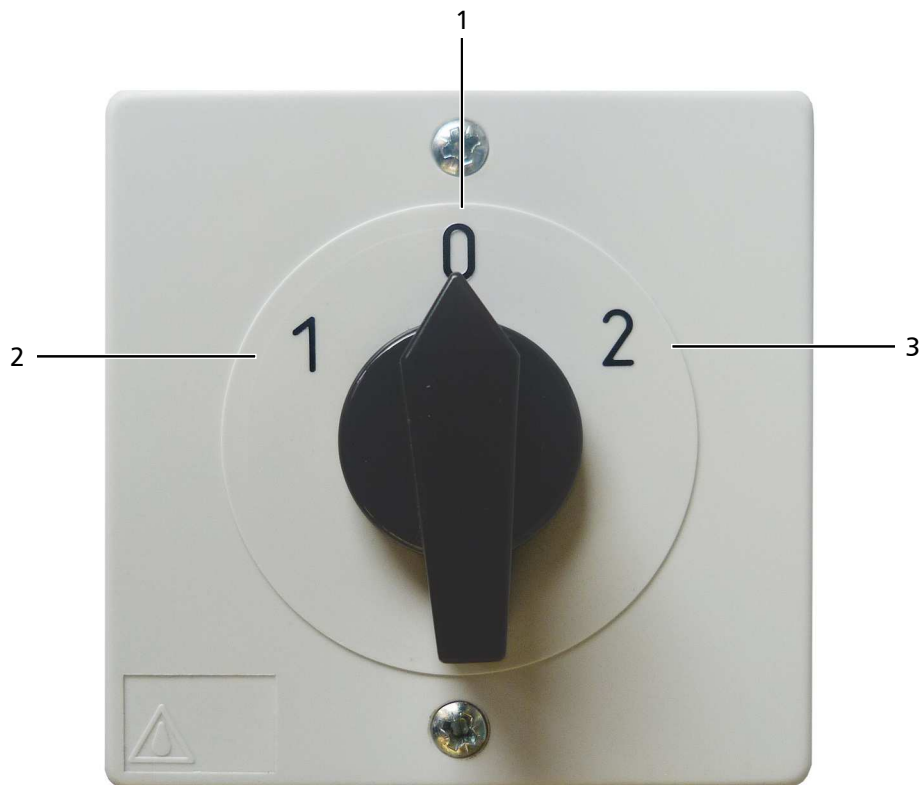


No.	Designation
1	Pressure gauge
2	Filling hose with filling valve
3	Filter housing
4	Phasen selector switch

DESCRIPTION

Phase selector switch LW 225 E

A

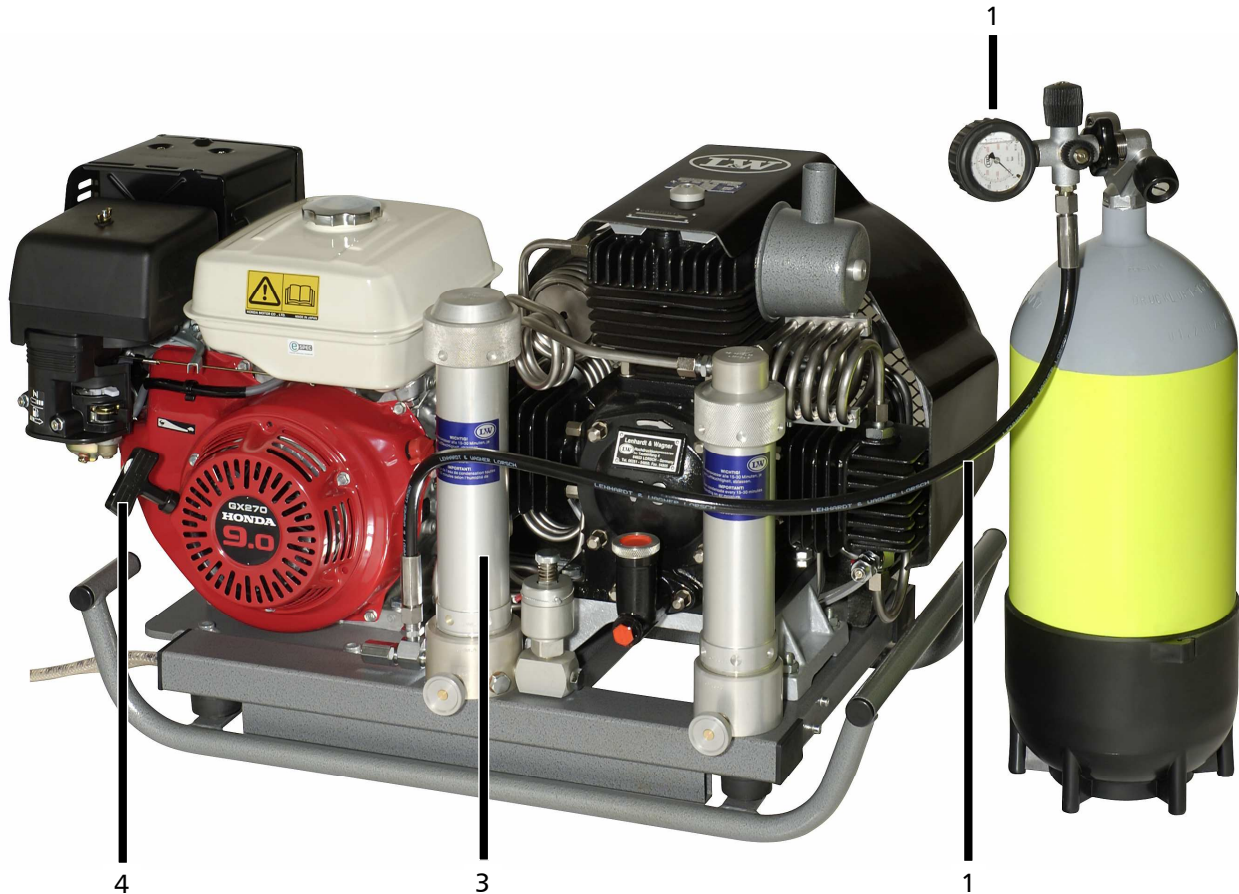


No.	Designation
1	Switch position 0 - OFF
2	Switch position 1 - ON - Rotation 1
3	Switch position 2 - ON - Rotation 2

DESCRIPTION

Unit Assembly LW 245 B

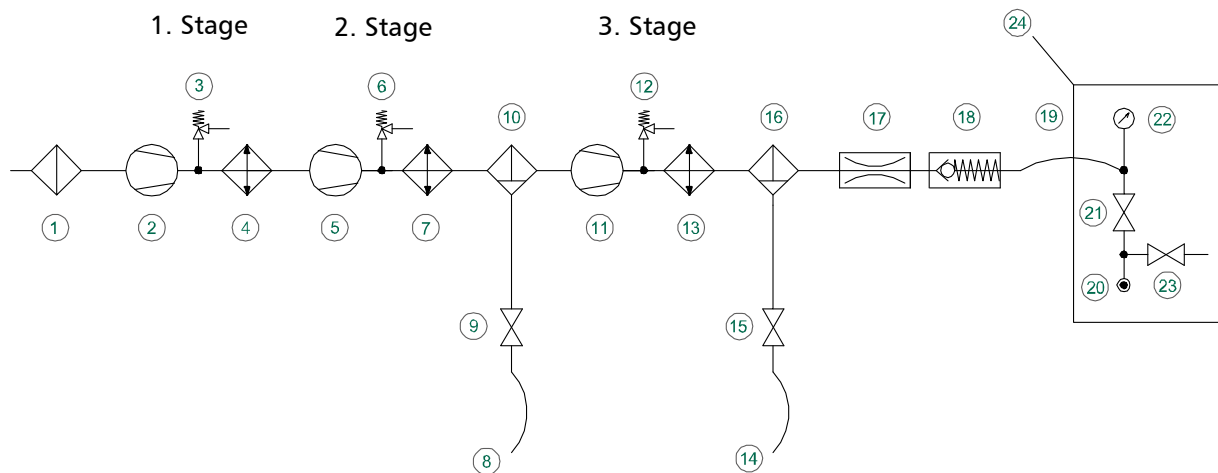
A



No.	Designation
1	Pressure gauge
2	Filling hose with filling valve
3	Filter housing
4	Hand start

DESCRIPTION

Flow chart



- | | |
|---------------------------------|---------------------------------------|
| 1. Air Intake Filter | 13. Cooling Pipe Final Stage |
| 2. 1st Pressure Stage | 14. Condensate Release Hose |
| 3. Safety Valve 1st Stage | 15. Condensate Release Valve |
| 4. Cooling Pipe 1st Stage | 16. Oil-/Water Separator |
| 5. 2nd Pressure Stage | 17. Pressure Maintaining Valve |
| 6. Safety Valve 2nd Stage | 18. Non-Return Valve |
| 7. Cooling Pipe 2nd Stage | 19. Filling Hose |
| 8. Condensate Release Hose | 20. Filling Connector |
| 9. Condensate Release Valve | 21. Filling Valve |
| 10. Oil-/Water Separator | 22. Pressure Gauge (Filling Pressure) |
| 11. 3rd Pressure Stage | 23. Vent Valve |
| 12. Final pressure-Safety Valve | 24. Unit Filling Valve "Cross Design" |



A

SAFETY PRECAUTIONS



SAFETY PRECAUTIONS

A

Intended Use

Only use the unit in perfect condition for its intended purpose, safety and intended use and observe the operating instructions! In particular disorders that may affect safety have to be eliminated immediately!

Use the unit exclusively for the determined medium (see "Technical Data"). Any other use that is not specified is not authorized. The manufacturer/supplier shall not be liable for any damages resulting from such use. Such risk lies entirely with the user. Authorization for use is also under the condition that the instruction manual is complied with and inspection and maintenance requirements are enforced.

No change and modification to the unit can be made without the written agreement of the manufacturer. The manufacturer is not liable for damage to persons or property resulting from unauthorised modifications.

Operators

Target groups in these instructions;

Operators

Operators are persons who are authorized and briefed for the use of the compressor.

Qualified personnel

Qualified personnel are persons who are entitled to repair, service, modify and maintain the system.



Warning

Only trained personnel are permitted to work on the unit!



Warning

Work on the electrical equipment on / with the machine / unit may only be carried out by qualified electricians.

SAFETY PRECAUTIONS

Safety instructions on the unit

Importance of notes and warning signs that are affixed to the compressor according to the application or its equipment.

A



Warning
High voltage!



Note
Ensure correct direction of rotation!



SAFETY PRECAUTIONS

General Safety Precautions

- Read the Operating Instructions of this product carefully prior to use.
- Read the Operating Instructions of the petrol engine carefully prior to use. (LW 245 B Versions)
- Strictly follow the instructions. The user must fully understand and strictly observe the instructions. Use the product only for the purposes specified in the intended use section of this document.
- Do not dispose the operating instructions. Ensure that they are retained and appropriately used by the product user.
- Only trained and competent personnel are permitted to use this product.
- Comply with all local and national rules and regulations associated with this product.
- Only trained and competent personnel are permitted to inspect, repair and service the product.
- Only authentic L&W parts and accessories may be used for maintenance work. Otherwise, the proper functioning of the product may be impaired.
- Do not use faulty or incomplete products. Do not modify the product.
- Inform L&W in the event of any product or component fault or failure.
- The quality of the air supply must meet EN 12021 specifications for breathing air.
- Do not use the product in areas prone to explosion or in the presence of flammable gases. The product is not designed for these applications. An explosion might be the result if certain conditions apply.

A

SAFETY PRECAUTIONS

Unit customised safety notices

Organisational measures

- In addition to the instruction manual, observe and comply with universally valid legal and other obligatory regulations regarding accident prevention and environment protection.
- In addition to the instruction manual, provide supplementary instructions for supervision and monitoring duties taking into consideration exceptional factors e.g. with regard to organisation of work, production, personnel employed.
- Supervise personnel's work in accordance with the instruction manual, taking into account safety and danger factors.
- Observe all safety and danger notices on the compressor and check readability and completeness.

Safety instructions operation

- Take measures to ensure that the machine is only taken into operation under safe and functional conditions. Only operate the compressor if all protective and safety equipment, e.g. detachable protective equipment, are provided and in good working order.
- Check the compressor at least once per day for obvious damage and defects. Inform the responsible department / person immediately if anything is not as it should be (including operation performance). Shut down the machine immediately if necessary and lock it.
- In case of malfunction, stop the compressor immediately and lock it. Repair malfunctions immediately.
- If there is a failure in the electric energy supply, shut the machine / unit down immediately.
- Ensure safe and environmentally friendly disposal of consumables and old parts.
- The stipulated hearing protectors must be worn.
- Soundproofing equipment on the compressor has to be activated in safety function during operation.
- When handling with fats, oils and other chemical agents, observe the note for the product-related safety.
- Check all additional safety notices for the petrol engine in the specific handbook (LW 245 B Versions)



SAFETY PRECAUTIONS

Maintenance instructions

- Hoses have to be checked by the operator (pressure and visual inspection) at reasonable intervals, even if no safety-related defects have been detected.
- Immediately repair any damage. Escaping compressed air can cause injury.
- Depressurise system and pressure lines before beginning repair work.
- Pressurised air lines must be laid and mounted by qualified personnel. Connections must not be mixed up. Fittings, length and quality of the piping must correspond to requirements.
- Adjustment, maintenance and inspection activities and keep appointments, including information on replacement parts / equipment, prescribed in the operating instructions have to be respected.
- If the machine / equipment is completely off during maintenance and repair work, it must be protected against unexpected restart. Turn off main control device and remove the key and/or display a warning sign on the main switch.
- The machine and especially the connections and fittings should be cleaned from oil, fuel and maintenance products at the beginning of the maintenance / repair. Do not use aggressive cleaning agents. Use fibre-free cleaning cloths.
- Switch off compressor and clean with a slightly damp cloth. Remove dirt from cooling pipes by using a brush.
- After cleaning, examine all pipes for leaks, loose connections, chafing and damage. Immediately eliminate any faults.
- Always retighten any screw connections loosened for maintenance or repair work.
- If it is necessary to remove safety devices for maintenance and repair work, these must be replaced and checked immediately after completion of the maintenance or repair work.
- The electrical equipment of the compressor must be regularly checked. Defects, such as loose screw connections or burnt wires, must be immediately rectified by electrically skilled personnel.
- Only personnel with particular knowledge and experience with pneumatics may carry out work on pneumatic equipment.
- Only personnel with particular knowledge and experience in gas equipment may carry out work on gas equipment.
- Any work on the petrol engine should be done in accordance with its specific handbook. (LW 245 B Versions)

A



SAFETY PRECAUTIONS

Transportation instructions

- Parts which need to be dismantled for transport purposes must be carefully replaced and secured before taking into operation.
- The transport may only be carried out by trained personnel.
- For transportation, only use lifting devices and equipment with sufficient lifting power.
- Do not stand or work under suspended loads.
- Even minor relocation please disconnect the machine / system from any external energy supply.
- Before recommissioning, reconnect the machine to the mains according to regulations.
- When recommissioning, proceed according to the operating instructions..

Safety regulations

- Inspections according to legal and local obligatory regulations regarding accident prevention are carried out by the manufacturer or by authorised expert personnel. No guarantees whatsoever are valid for damage caused or favoured by the non-consideration of these directions for use.

A



A

INSTALLATION

INSTALLATION

Installation in closed rooms - LW 225 E



Danger

No operation in explosion-hazard areas.

The unit is not approved for operation in areas prone to explosion.

For installation in closed rooms, observe the following:

- Install the unit horizontally and level. The floor must be vibration-free and capable of taking the load of the system weight.
- The compressor room must be clean, dry, dust free and as cool as possible. Avoid direct exposure to sunlight. If possible, install unit in such a manner that the compressor fan can intake fresh air from outside. Ensure adequate ventilation and exhaust air opening.
- When locating the compressor in rooms of less than 30 m³ space where natural ventilation is not ensured or other systems having high radiation are operating in the same room, measures must be taken to provide artificial ventilation.
- Intake air must be free from noxious gas e.g. smoke, solvent vapours, exhaust fumes etc.
- Observe the specified operating temperature (see "Technical Data")!

A

INSTALLATION

Installation LW 245 B

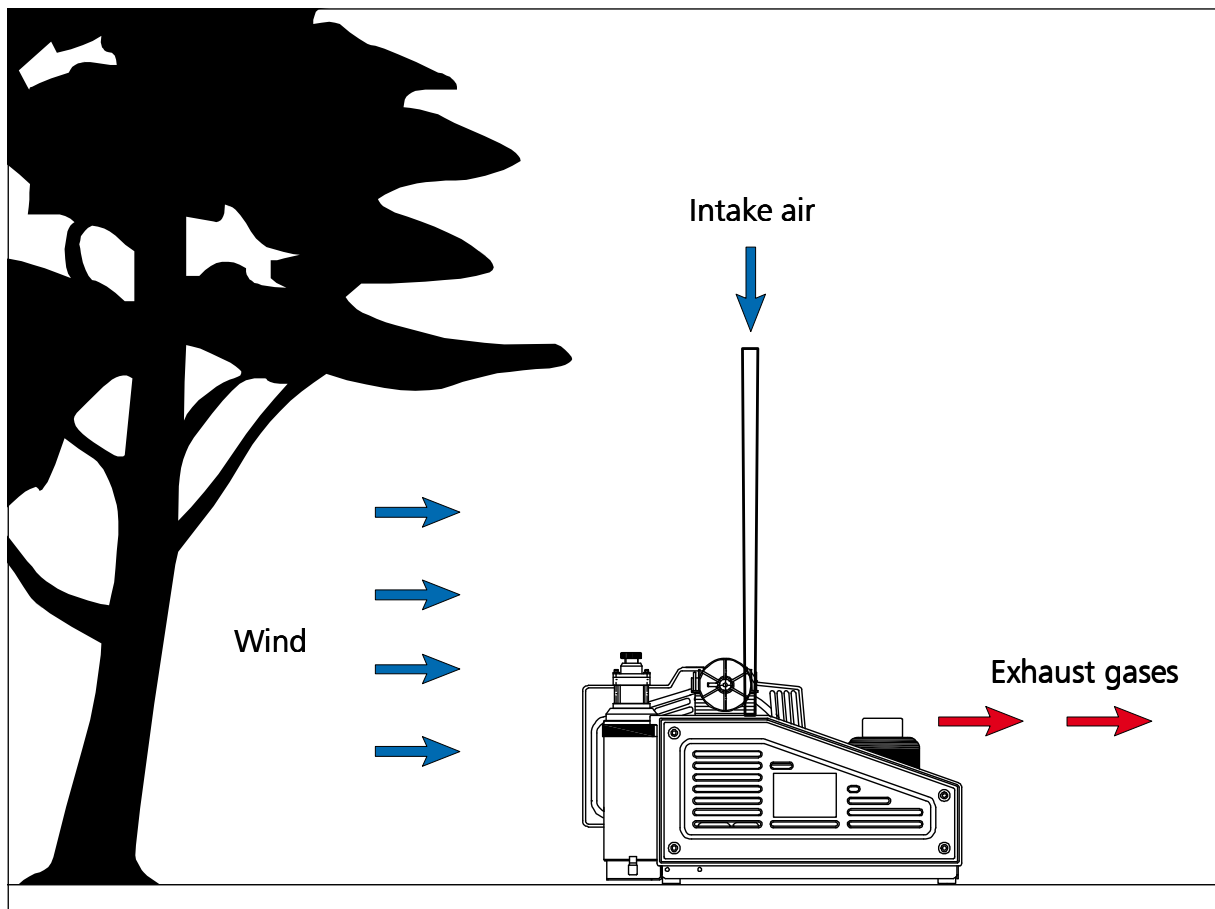


Danger

Compressors with petrol or diesel motors must only be located outdoors, never indoors, not even in partially closed rooms however large they may be.

For outside installation observe the following:

- Install the unit horizontally and level. The floor must be vibration-free and capable of taking the load of the system weight.
- On units employing petrol or diesel motors, it is most important that only clean air is used. Position compressor in direction of wind so that exhaust fumes are blown away from the unit.
- Intake air must be free from noxious gas e.g. smoke, solvent vapours, exhaust fumes etc.
- Observe the specified operating temperature (see "Technical Data")!



INSTALLATION

Dimensions LW 225 E

A

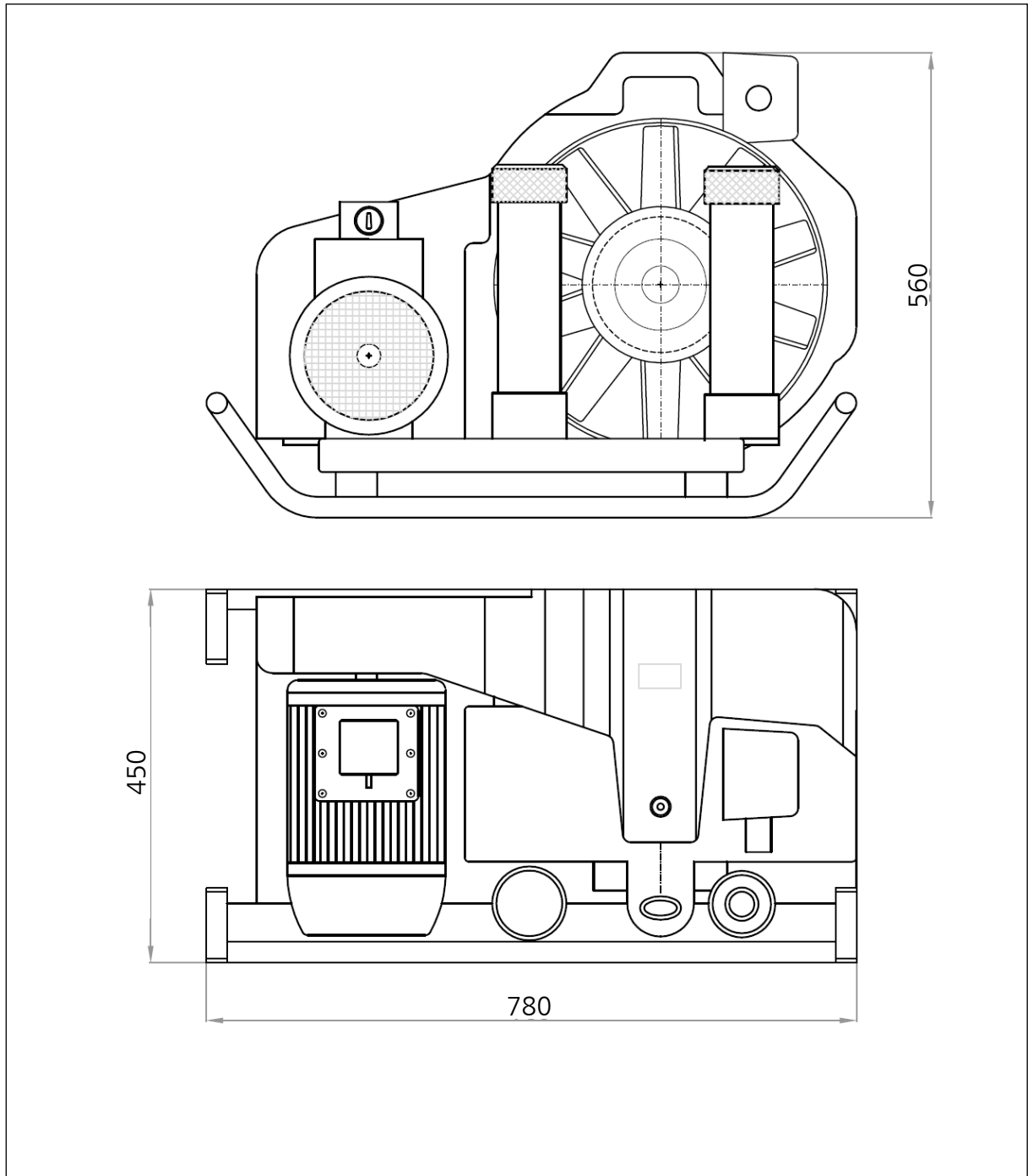


Fig. Dimensions

INSTALLATION

Dimensions LW 245 B

A

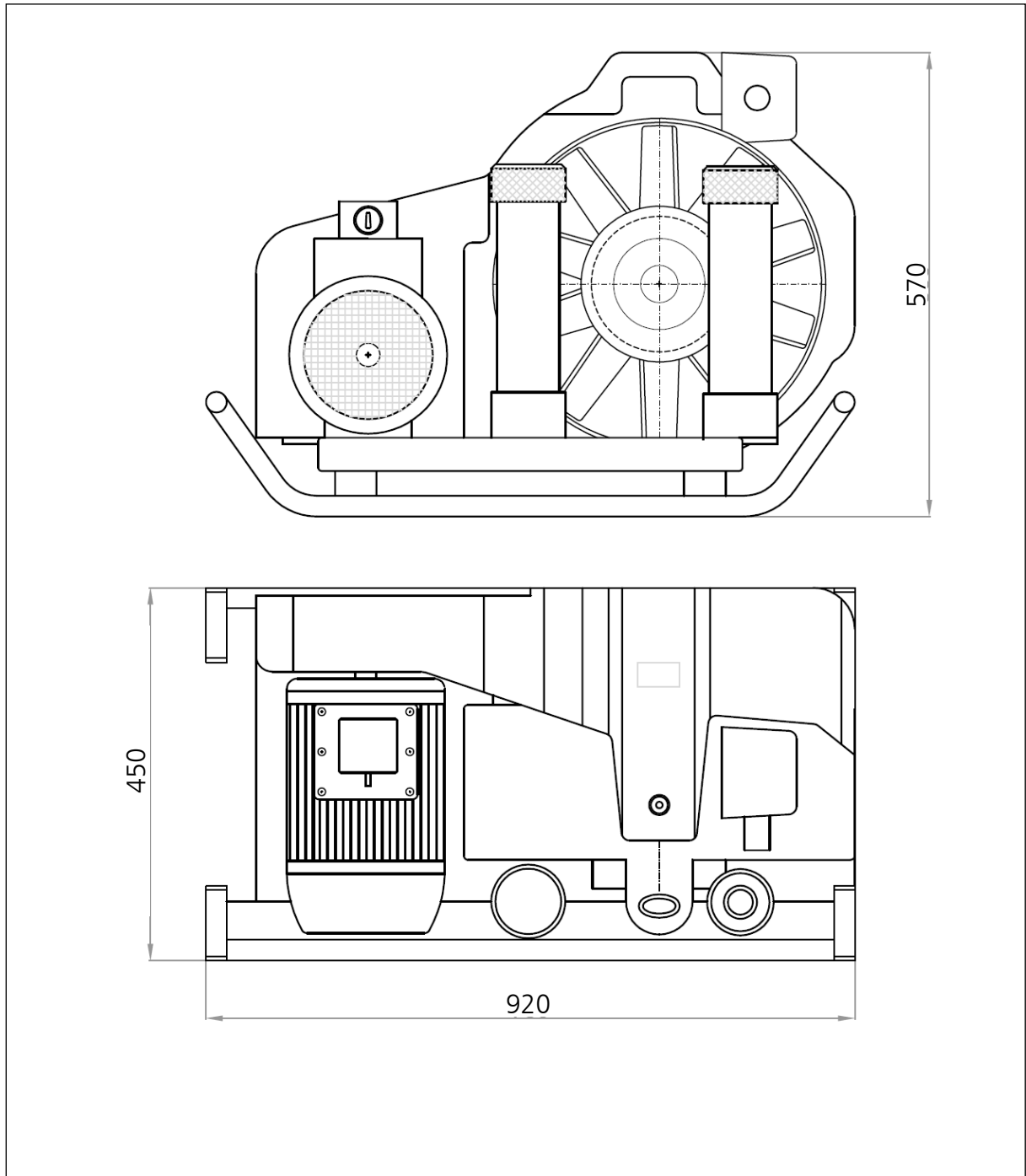


Fig. Dimensions

INSTALLATION

Minimum distances



Note

Minimum distances must be adhered!

- Make sure that the compressor always has a sufficient amount of fresh air available.
- To prevent serious damage, ensure that the cooling air flow can flow freely.
- The following minimum distances must be adhered:
Front side min. 300 mm, rear side min. 300 mm. Avoid anything in this area which can restrict the cooling air flow.
- No minimum distances are required at the side panels.

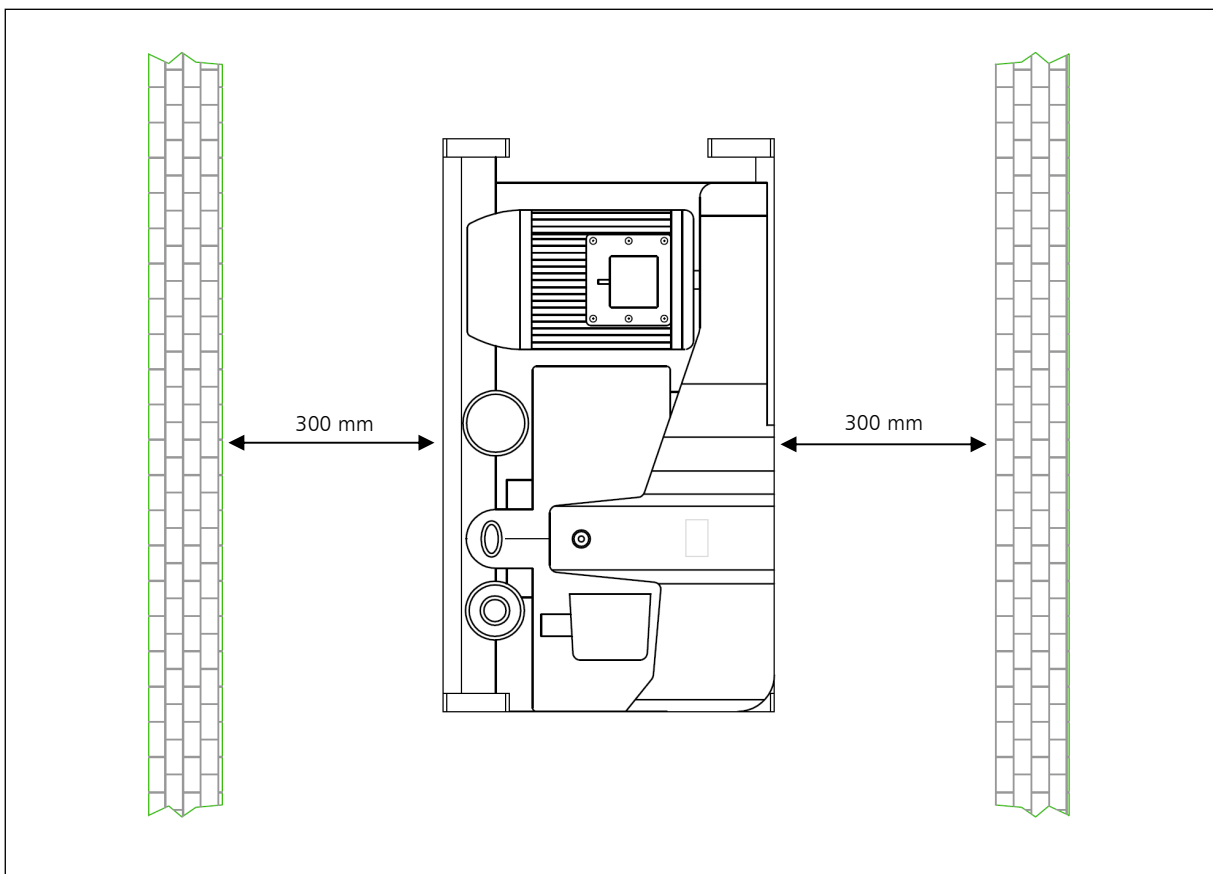


Fig. Minimum distances LW 160 E



Hinweis

Do not use LW 245 B in closed rooms!

INSTALLATION

Ventilation LW 225 E

- Make sure that the compressor always has a sufficient amount of fresh air available for cooling.
- To prevent serious damage, ensure that the cooling air flow can flow freely.
- The necessary cooling air flow can be calculated by using the following formula:
 $300 \times \text{drive power [kW]} = \text{required cooling air flow [m}^3/\text{h]}$
Example 11kW motor: $300 \times 11\text{kW} = 3300 \text{ m}^3/\text{h} = \text{required cooling air flow.}$
- The fan capacity for fresh air and warm air must meet at least the required cooling air flow.
The fans must have the same capacity.

A

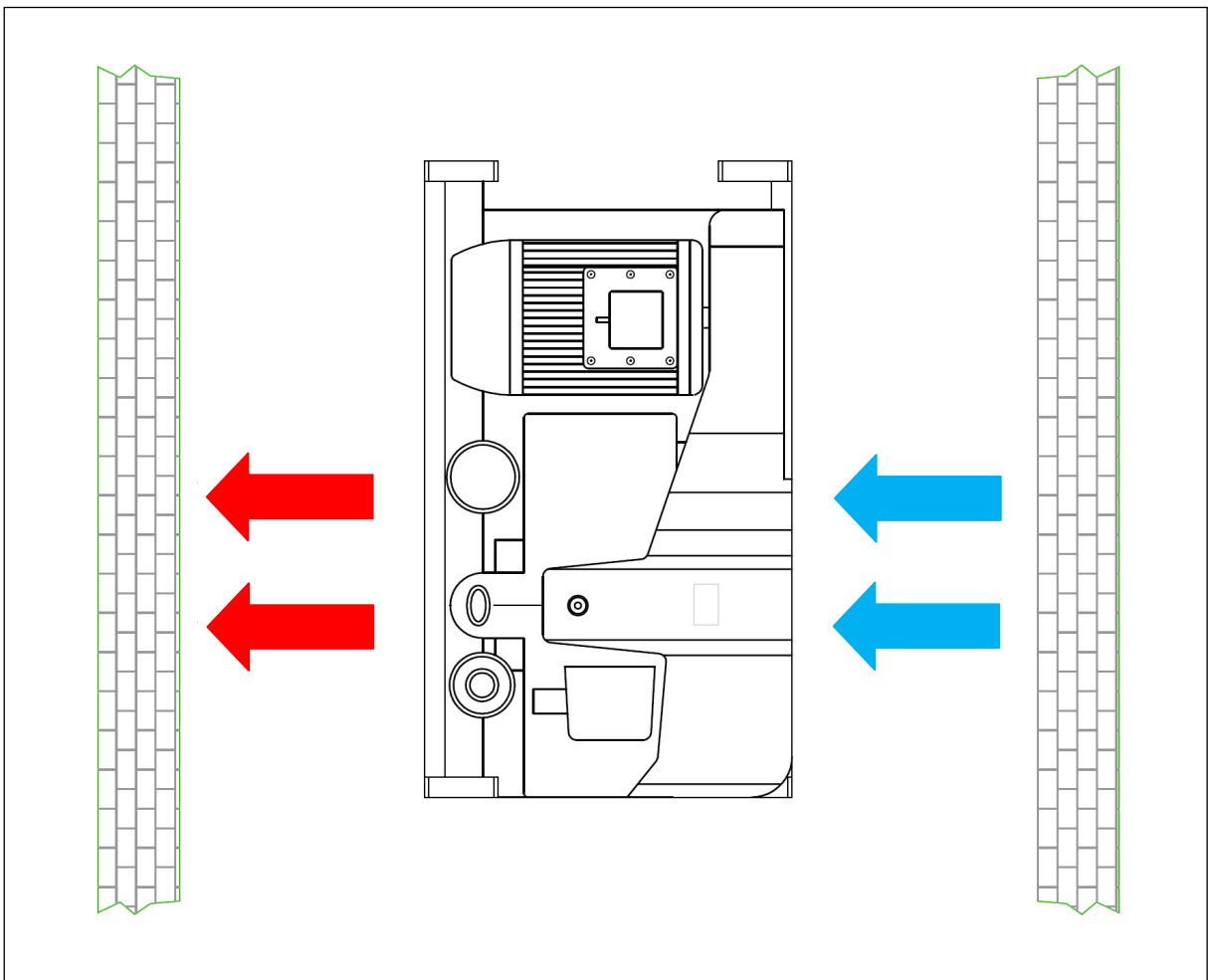


Fig. Ventilation via ventilation stack

INSTALLATION

Electrical Installation LW 225 E



Warning

Work on the electrical equipment on / with the machine / unit may only be carried out by qualified electricians.

For installation of electrical equipment, observe the following:

- If control devices are delivered by the factory, refer to the appropriate wiring diagram.
- Ensure correct installation of protective conductors.
- Check conformity of motor and control device tension and frequency with those of the electric network (see name plate on the compressor).
- The fusing should be done in accordance with the valid regulations of the responsible electricity supply company.
- When connecting the unit to the electrical supply, check the compressor direction of rotation (see chapter "Operation -> First commissioning - LW 225 E/E1).
- Fuse the motor correctly (see table; use slow-blow fuses).



INSTALLATION

Electrical Installation LW 225 E

The compressor comes fully wired with cable and plug. An installation is not necessary.

A

Recommended fuses for 360 - 500 V operating voltage

Nominal motor power		Fusing start A		Connection in mm ²	
[kw]	[A]	Direct	Star/Delta	Contactor supply	S/D* to Motor
4	8,5	20	16	2,5	1,5
5,5	11,3	25	20	2,5	1,5

Recommended fuses for 220 - 240 V operating voltage

Nominal motor power		Fusing start A		Connection in mm ²	
[kw]	[A]	Direct	Star/Delta	Contactor supply	S/D* to Motor
4	14,8	25	20	2,5	1,5
5,5	19,6	35	25	4	2,5

* S/D - Star / Delta.



A

OPERATION

OPERATION

Important operation instructions



Danger

On petrol or diesel engines, operation unit must only be located outdoors, never indoors, not even in partially closed rooms however large they may be.



Note

Ensure that all persons handling the compressor are familiar with function and operation of the unit.



Wear hearing protection

When working on a running machine, always wear hearing protection.

Prior to first commissioning, observe the following:

- Ensure that cooling air can flow freely.
- Check compressor oil level (see "Service and Maintenance").
- Check all connections and retighten if necessary.
- Check if the filter cartridge is in place (see "Service and Maintenance").
- Check the V-belt tension (see "Service and Maintenance").
- Check if all filling valves are closed. Open one filling valve and hold tight manually!

Kompressor starten

1. Start the compressor by switching position 1 of phase selector switch.
2. Check turning direction - see the rotary direction arrow on the compressor block (see next pages). If the turning direction is wrong, immediately stop the compressor by switching in position 0 and start the compressor by switching in position 2.



Warning

Wrong impeller rotation direction!

Immediately after switching the compressor on, check the rotation direction. Depending on the place of installation, the phase sequence can influence the rotation direction.

3. Run the compressor for about 2 minutes.
4. Close the open filling valve carefully.
5. Run the compressor up to maximum pressure and check the function of the final pressure safety valve. If the compressor is equipped with an automatic stop system please check the automatic shut down at final pressure. If the final pressure switch does not shut off, switch off the compressor by placing the switch at position 0 (see chapter "Remedying faults").
6. Check the compressor unit for leaks (see "Service and Maintenance").
7. Check the condensate drain valves:
Standard: Open the condensate drain valves carefully (see "Service and Maintenance").
Option: Automatic condensate drain:
 - Fix the black condensate hoses
 - Drain test - press the test button
 - If correct, air escapes
8. Stop the compressor by switching in position 0.
9. Open all filling valves carefully to vent.

FIRST COMMISSIONING - LW 225 E

Check turning direction - LW 225 E



Warning

Wrong rotation direction!

Immediately after switching the compressor on, check rotation direction. Depending on the place of installation, the phase sequence can influence the rotation direction.

Before starting the compressor for the first time, check rotation direction (see the rotary direction arrow on the compressor block).

If the direction of rotation is wrong, the guide pistons of the 2nd and 3rd stages can not be sufficiently lubricated, with the consequence that the pistons will be damaged. Furthermore, cooling air flow will not be sufficient.



Rotation direction arrow on the compressor block

Rotation direction change - LW 225 E



Warning

Work on the electrical equipment on / with the machine / unit may only be carried out by qualified electricians.

In case of a wrong rotation direction there is the possibility to change the switching position of the phase selector switch. In case of wrong rotation direction in switching position 1, start the compressor in switching position 2. In case of wrong rotation direction in switching position 2, start the compressor in switching position 1.

FIRST COMMISSIONING - LW 245 B

A

Prior to first commissioning, observe the following:

- Ensure that cooling air can flow freely.
- Position compressor in direction of wind so that exhaust fumes are blown away from the unit.
- Take protection measures to avoid damages or injury by exhaust gases/exhaust pipe.
- Check fuel capacity.
- Check drive motor oil level.
- Check the oil level of the compressor.
- Check all connections and tighten if necessary.
- Check if a filter cartridge is in place. (see "Service and Maintenance")
- Check V-belt tension. (see "Service and Maintenance")
- Read carefully the handbook of the petrol engine.
- Ensure that all filling valves are closed. Open one filling valve and hold tight manually!

Start the compressor

1. Open fuel valve (Fig. 1)
2. Switch motor switch in position 1
3. Pull start (Fig. 2)
4. Close condensate valves
5. Run the compressor for about 2 minutes
6. Close the open filling valve carefully
7. Run the compressor up to maximum pressure and check the function of the final pressure safety valve. If the compressor is equipped with an automatic stop system please check the automatic shut down at final pressure. If the final pressure switch does not shut off, stop the compressor the toggle switch, and close the fuel shut-off valve. (see chapter "Remedying faults").
8. Check the compressor for leaks.
9. Standard: Check the manual condensate drain valves.
Option: Check automatic Condensate Drain.
 - Fix the black condensate hoses
 - Drain test - press the test button
 - If correct, air escapes
10. Stop the compressor by the toggle switch (position 0), and close the fuel shut-off valve.
11. Open all filling valves carefully to vent the unit.



Fig. 1 - Fuel valve



Fig. 2 - Speed control and pull start



DAILY COMMISSIONING

Prior to daily operation observe the following:

LW 225 E

- Ensure cooling air can flow freely.
- Check the compressor oil level.
- Check if filter cartridge is in place / observe filter cartridge life!
- Ensure toxic-free, pure intake air.

LW 245 B

- Ensure cooling air can flow freely.
- Position compressor in direction of wind so that exhaust fumes are blown away from the unit.
(see Installation -> Installation LW 245 B)
- Take protection measures to avoid damages or injury by exhaust gases/exhaust pipe.
- Check the compressor oil level.
- Check if filter cartridge is in place / observe filter cartridge life!
- Check fuel capacity.
- Check drive motor oil level.
- Ensure toxic-free, pure intake air.

A

OPERATION

Filling procedure

**Caution! Fill only cylinders which:**

- are marked with the test mark and the test stamp of the expert.
- have been hydrostatic tested (check last test date).
- are rated for the final pressure.
- are free from humidity.

**Note**

The unit must be stopped manually when final pressure is reached. No serial auto shut down. The unit must also be started manually.

**Caution**

Vent condensate drain valves every 15-30 minutes manually.

1. Close all filling valves.
2. Connect the closed compressed air cylinders.
3. Open cylinder valves.
4. Start the compressor
5. When filling pressure gauge increases, open filling valves slowly.
6. Fill the compressed air cylinders to the desired pressure; close slowly the valves of the cylinders.
7. Switch off the compressor.
8. Close and vent all filling valves.
9. Disconnect all compressed air cylinders from filling valves.
10. Open condensate drain valves manually.

OPERATION

Switch off the compressor



Note

After switching off, open condensate drain valves manually to vent the unit.

The compressor unit is not equipped as standard with an auto shut down. The unit must always be stopped manually when final pressure is reached.

During filling process, the system can be shut down at any time by switching the phase selector switch in position 0.

Switch off the compressor unit LW 225 E

- Stop compressor by switching the phase selector switch in position 0.

Switch off the compressor unit LW 245 B

- Stop compressor by the toggle switch.
- Close fuel shut-off valve.



A

REMEDYING FAULTS

REMEDYING FAULTS

Final pressure can not be reached

Cause of fault	Remedy
Connections leaky	Retighten or clean/replace if necessary
Final pressure safety valve leaky	Replace
Pipes / heat exchanger broken	Replace
Condensate drain valves leaky	Unscrew valves, check sealing surfaces, clean, replace if necessary
Final pressure switch stop unit	Verify settings, replace if necessary
Piston of pneumatic condensate valve sticks	Clean pneumatic condensate valve and restore function, check/replace o-rings, replace valve completely if necessary

Strong compressor vibration

Cause of fault	Remedy
V-belt tension too loose	Tension V-belt
Drive motor / Compressor unit loosely	Retighten mounting screws
Anti vibration mounts used up	Replace
Ground not levelled	Ensure a solid and level ground

Air supply too low

Cause of fault	Remedy
Inlet and outlet valves contaminated / defective	Clean, replace if necessary
Cylinder(s), piston(s) or piston ring(s) used up	Replace
V-belt slips	Tension V-belt
See chapter "Final pressure can not be reached"	See chapter "Final pressure can not be reached"

REMEDYING FAULTS

Compressor overheated

Cause of fault	Remedy
Inlet filter cartridge contaminated	Replace
Ambient temperature too high	Improve room ventilation / Reduce operation times
Cooling air inlet and outlet insufficient	Observe minimum distances (see Installation Instructions)
Air intake hose too long	Reduce length of the air intake hose
Air intake hose diameter too small	Use a larger diameter
Wrong compressor rotation direction	Ensure correct phase rotation, observe rotation direction arrow!
Inlet and outlet valves contaminated / defective	Clean, replace if necessary

Safety valve leaks

Cause of fault	Remedy
Inlet and outlet valves of the following pressure stage defective	Clean, replace if necessary
Sinter filter of the following water separator blocked	Replace
Safety valve leaky	Replace

Oil taste in the air

Cause of fault	Remedy
Mole carbon filter cartridge saturated	Replace
Compressor oil unsuitable	Use prescribed oil quality
Filter cartridge unsuitable	Use prescribed filter type
Cylinder(s), piston(s) or piston ring(s) defective	Replace

REMEDYING FAULTS

Automatic condensate drain defective

Only valid with the option - Automatic Condensate Drain

Cause of fault	Remedy
Solenoid coils defective	Replace
Cable / supply cable defective	Repair, replace if necessary
Timer / relais defective	Replace
Sinter filter of pneumatic condensate valve blocked	Replace
Piston of pneumatic condensate valve sticks	Clean pneumatic condensate valve and restore function, check/replace o-rings, replace valve complete if necessary

Condensate drain starts before reaching final pressure

Only valid with the option - Automatic Condensate Drain

Cause of fault	Remedy
Pressure stages are not as prescribed, control pressure of pneumatic condensate valve too low	Check corresponding inlet and outlet valve, replace if necessary.
Piston sealing of pneumatic condensate valve contaminated / used up	Clean, replace if necessary
Timer / relais settings not correct	Adjust as prescribed
Timer / relais defective	Replace

Compressor stops before final pressure

Only valid with the option - Automatic Condensate Drain

Cause of fault	Remedy
Final pressure switch settings not correct	Correct settings
Opening pressure of the pressure maintaining valve too high	Correct settings
Fuse / circuit breaker has tripped Valid only for E models	Check fusing of the power supply / observe regulations

REMEDYING FAULTS

Filter life not sufficient

Cause of fault	Remedy
Pressure maintaining valve settings not correct	Adjust as prescribed
Filter cartridge unsuitable	Replace by a prescribed filter cartridge type
Filter cartridge too old	Observe expiration date
Filter cartridge packaging incorrect / damaged / already opened. Filter cartridge already partly saturated before change	Store filter cartridges properly, dispose defective cartridges
Operating temperature too high	Ensure sufficient ventilation
Cylinder(s), piston(s) or piston ring(s) defective	Replace

Oil consumption too high

Cause of fault	Remedy
Cylinder(s), piston(s) or piston ring(s) defective	Replace
Compressor oil unsuitable	Use prescribed oil quality
Operating temperature too high	Observe prescribed operating temperatures
Oil leak at the compressor block	Tighten corresponding mounting screws, if necessary replace corresponding paper sealing / o-ring / shaft seal



A

MAINTENANCE AND SERVICE

MAINTENANCE AND SERVICE

Service, Repair and Maintenance

Carry out service and maintenance work exclusively when the compressor is stopped and depressurised. The unit should be leak-checked regularly. Leaks can be preferably localised by using a leak detector spray (if necessary, brush pipes with soapy water).

We recommend that only authorised L&W service technicians carry out service work on the bearing of the compressor (crankshaft and connecting rods).

We urgently recommend that all maintenance, repair and installation work must only be carried out by trained personnel. This is necessary because all maintenance work can not be explained exactly and detailed in this manual.

Only use authentic spare parts for service work.

Any work on the petrol engine should be done in accordance with its specific handbook.



Danger

Components under pressure, such as hose ends, can quickly come loose when manipulated and can cause potentially fatal injuries due to the pressure surge. Any work on system parts may only be performed in a pressure-compensated state.



Warning

The use of accessories that have not been tested can lead to death or serious injury or damage to the unit. Only use authentic spare parts for service work.



Warning

Carry out maintenance or service work when the unit is switched off and protected against unexpected restart.



Warning

Risk of burns!

Carry out maintenance or service work when the unit has cooled down.



MAINTENANCE AND SERVICE

Daily before taking unit into operation

Maintenance work	Type	Quantity	Order No.
Check oil level	-	-	000001
Check condition of all filling hoses	-	-	-
Check filter cartridge lifetime	LW 225 E	1	001374
	LW 245 B	1	001464
Operate unit to final pressure and check function of final pressure switch	-	-	-

Weekly or as needed

Maintenance work	Type	Quantity	Order No.
Check automatic condensate drain, open manual condensate taps	-	-	-
Check/Retorque all connections and bolts	-	-	-
Check V-belt tension and condition	-	-	-

Annually

Maintenance work	Type	Quantity	Order No.
Oil change, if less than 250 operating hours	-	0.8	000001
Check opening pressure of final safety valve	-	-	-
Clean coolers	-	-	-
Clean all oil/water separators, if less than 250 operating hours	-	-	-
Service intake filter (depends on condition - if less than 500 operating hours)	-	-	-

A



MAINTENANCE AND SERVICE

Every 250 operating hours

Maintenance work	Type	Quantity	Order No.
Oil change	-	0.8	000001
Clean oil/water separators	-	-	-

Every 500 operating hours

Maintenance work	Type	Quantity	Order No.
Replace V-belt	LW 225 E (50Hz)	2	000123
	LW 225 E (60Hz)	2	000125
	LW 245 B	2	000123
Replace o-ring of the DIN filling connector	-	1	001237
Replace o-ring of the revolvable filling hose	-	1	001224
Change intake filter	-	1	001708
Change o-ring of intake filter housing	-	1	001778
	-	1	001782
Replace o-ring of the water separator	O-Ring	2	000016
	O-Ring	2	003099
Replace o-ring of the condensate drain vlave	-	2	000043
Replace o-ring of the final filter housing	-	2	000016
Check pressure maintaining / non-return valve	-	-	-
Check all connections for leaks	-	-	-

A



MAINTENANCE AND SERVICE

Every 1000 operating hours

Maintenance work	Type	Quantity	Order No.
Replace o-rings and gaskets of 1st, 2nd and 3rd stage	Gasket (1st stage)	1	003651
	Spacer (copper)	1	000038
	o-ring valve (2nd stage)	1	000035
	o-ring valve (3rd stage)	1	000034
Replace all inlet and outlet valves incl. Gaskets	1st stage	1	003652
	2nd stage (incl. gasket)	1	000031
	3rd stage (incl. gasket)	1	000032

A

MAINTENANCE AND SERVICE

Service Kits LW 225 E

The service kits contain parts for maintenance according to the factory requirements.

The use of the service kits ensures that all required parts are ordered and replaced and gives assurance that all parts are included in the order. Depending on the model and interval, the service kits include parts such as O-Rings, Sinter Filter, Inlet Filter, V-Belts, Silencers, In-&Outlet Valve, Valve Seals and Compressor oil.



Service Kits

A

Service Kits LW 225 E (Versions from 2008)

Compressor	Frequency	Operating Hours	Order No.
LW 225 E	50 Hz	500 h	006771
LW 225 E	50 Hz	1000 h	006629
LW 225 E	60 Hz	500 h	006772
LW 225 E	60 Hz	1000 h	006773

Service Kits LW 225 E (Versions up to end of 2007)

Compressor	Frequency	Operating Hours	Order No.
LW 225 E	50 Hz	500 h	006770
LW 225 E	50 Hz	1000 h	003950
LW 225 E	60 Hz	500 h	006769
LW 225 E	60 Hz	1000 h	003066

MAINTENANCE AND SERVICE

Service Kits LW 245 B

The service kits contain parts for maintenance according to the factory requirements.

The use of the service kits ensures that all required parts are ordered and replaced and gives assurance that all parts are included in the order. Depending on the model and interval, the service kits include parts such as O-Rings, Sinter Filter, Inlet Filter, V-Belts, Silencers, In-&Outlet Valve, Valve Seals and Compressor oil.



Service Kits

A

Service Kits LW 245 B (Versions from 2008)

Compressor	Frequency	Operating Hours	Order No.
LW 245 B	50 Hz	500 h	006771
LW 245 B	50 Hz	1000 h	006629

Service Kits LW 245 B (Versions up to end of 2007)

Compressor	Frequency	Operating Hours	Order No.
LW 245 B	-	500 h	006770
LW 245 B	-	1000 h	003950

MAINTENANCE AND SERVICE

Check V-belt tension

The compressors of LW 225 E and LW 245 B are driven by V-belts. Check correct V-belt tension regularly, adjust if necessary. The V-belt could lose tension during transportation. Please check the V-belt tension before starting the compressor.

Tension V-belts

- Switch off the compressor unit, pull the plug if necessary.
- Tilt the compressor slightly aside.
- Loosen mounting screws of the motor flange (Fig. 1 +2).
- Turn clamp nut until correct V-belt tension (Fig. 3).

Rotation direction clockwise: increase V-belt tension.

Rotation direction anti-clockwise: reduce V-belt tension.

- Tighten mounting screws of the motor flange.
- Check V-belt tension and adjust if necessary.

Correct V-belt tension

Do not tension V-belts too tight. This damages bearings of compressor and motor. The V-belts should only be tensioned until there is no noise caused by slipping during start.

Settings

Motor Type	Initial Installation	Operation after running in
E-motor 50Hz	400 N	300 N
E-motor 60Hz	350 N	250 N
Bencine	400 N	300 N



Fig. 1 - Loosen mounting screws of the motor flange

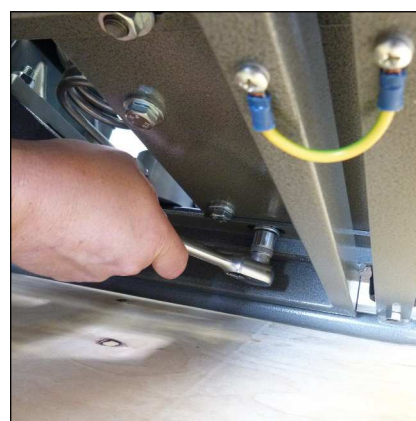


Fig. 2 - Loosen mounting screws of the motor flange

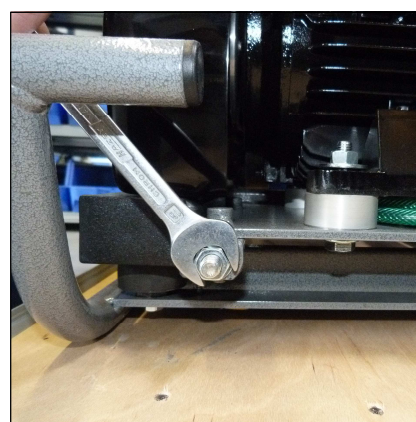


Fig. 3 - Turn clamp nut until correct V-belt tension

A

Compressor Lubrication

Pistons, cylinders, crankshaft and connecting rods are provided with oil by splash lubrication.

A

Check oil level



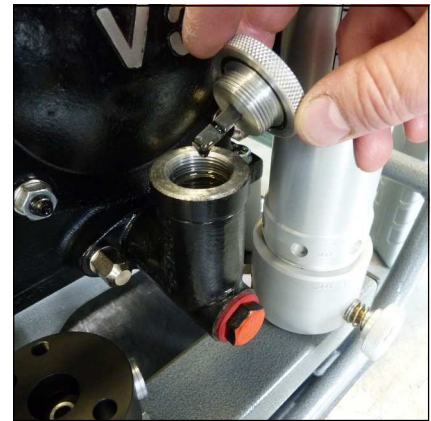
Warning

Check oil level daily. Never start the compressor with a too low oil level. Risk of accidental loss, destruction or deterioration.

Check the oil level before each operation of the unit.

Oil level check as follows:

- Screw out oil dipstick
- Wipe off oil residues
- Insert the oil dipstick as far as it will go back into its tube and screw in.
- Screw out oil dipstick again
- The oil level should reach the upper maximum marking but minimum the lower edge of the oil dipstick. Refill new compressor oil at least when the recommended oil level wasn't reached.
- Screw in the oil dipstick as far as it will go back into its tube.



Oil cover



Oil level

Oil change



Note

We recommend oil change at least once a year - depending on total operating hours.

Oil change as follows:

- Run compressor warm for about 2 minutes.
- Switch off and vent compressor.
- Tilt the compressor aside.
- Place a suitable oil drain tray under the drain plug (red marked hexagon bolt).
- Screw off red oil drain plug carefully.
- Drain oil.
- Screw in red oil drain plug and tighten.
- Pull out oil cover (Fig. 1) and fill with oil. (Fig. 2)
- Check oil level.
- Check condition of oil cover o-ring and insert the oil cover.

The oil change is now completed.

Maintenance intervals

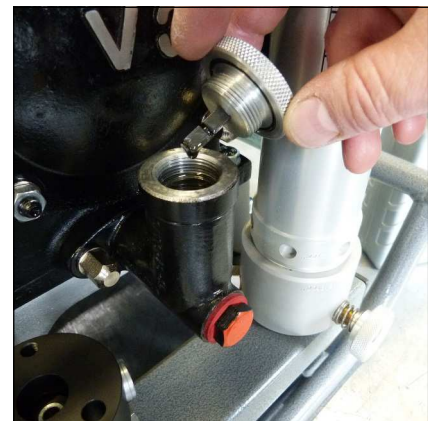
- First oil change after 25 operating hours (total hours).
- All further changes after each 250 operating hours.

Oil and oil capacity

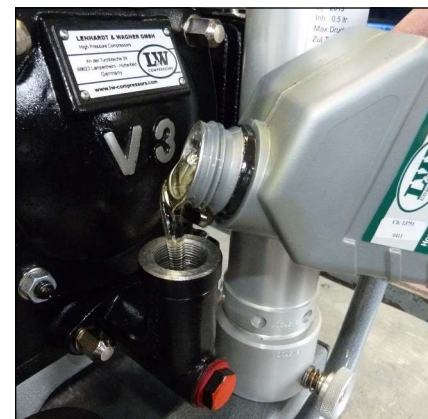
Approx. 800 ml synthetic compressor oil is necessary for one oil change. Only use synthetic compressor oil which is recommended as suitable from L&W. (P/N: 000001)

Only LW 245 B

Drive motor oil change intervals: see manufacturer's specification for the drive motor.
(L&W P/N: 000004)



(Abb.1) Öldeckel mit Ölpeilstab



(Abb.2) Ölstand

Manual condensation dump system



Note

The collected condensate can contain oil and has to be disposed according to regulations.

Oil- / water separators

The compressor comes as standard with a manual condensation dump system. Drain condensate separators every 15 to 30 minutes, depending to air moisture.

Option Automatic Condensate Drain: To release the complete condensate through the black plastic hoses we recommend using a 10 l container at least.

The drain noise can be kept to a minimum by using a silencer.

Manual drain



Warning

Open valve spindle max. 1.5 turns.
The pressure in the housing can shoot out the valve spindles at high speed.

To drain manually, open the condensate drain valve of the 2nd stage oil / water separator (Fig. 1) and the condensate drain valve of the filter housing (Fig. 2). Open valve spindle max. 1.5 turns anti-clockwise. The condensate will be drained. Then close valve spindle clockwise.

Maintenance intervals

We recommend to clean oil and water separators inside every 250 operating hours or at least once a year, to check for corrosion damage and to replace o-rings if necessary (not the o-ring of the valve spindle).

All oil / water separators have integrated o-rings which need to be replaced every 500 operating hours (incl. o-ring of the valve spindle).



Fig. 1 - Condensate drain valve
2nd stage



Fig. 2 - Oil- / water separator 3rd stage

Oil- / water separator 2nd stage - maintenance



Note

Clean all parts thoroughly before assembly.

Maintenance / cleaning of oil / water separators 2nd stage as follows:

- Loosen mounting screws of the cooler bracket (Fig. 1) and pipe connections (Fig. 2+3), extract cooler afterwards.
- Open lock ring with the filter key and remove it (Fig. 4), change o-ring afterwards.
- Screw lock ring slightly, place cooler and screw pipe connections slightly.
- Tighten mounting screws of the cooler bracket (Fig. 1) and pipe connections (Fig. 2+3).
- Tighten lock ring with the filter key (Fig. 5).
- Turn off condensate drain valve, change o-ring and turn in condensate drain valve completely (Fig. 6).

The oil / water separator maintenance is now completed.

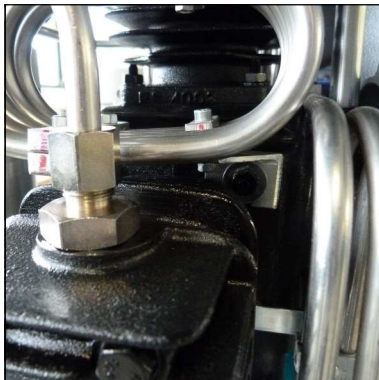


Abb. 1 - Mounting screw



Abb. 2 - Pipe connection



Abb. 3 - Pipe connection



Abb. 4 - Remove lock ring and change o-ring



Abb. 5 - Tighten lock ring



Abb. 6 - O-ring, condensate drain valve

MAINTENANCE AND SERVICE

Filter housing

The mole carbon filter housing is installed on the right hand side of the compressor housing.

Inside the filter housing a jet blows air on to the housing wall. Condensation water and oil are led by centrifugal force to the bottom of the housing. Air flows through the mole carbon filter cartridge, which purifies the air from residual moisture and odours.



Filter housing

Filter cartridge

The high-pressure compressor is equipped with an integrated breathing air purification system. Air is compressed up to 330 bar, dried and odour- and tasteless purified. Oil residues are bounded. The breathing air filter cartridge consists of a molecular sieve and activated-carbon filter.

The cartridges of petrol-driven versions are equipped with additional CO/CO₂ filters.

All breathing air filter cartridges are factory vacuum sealed.

We recommend unpacking the filter cartridges just before installation. Filter cartridges which are exposed too long could be saturated with moisture and become unusable.

Maintenance Intervals

Filter cartridges should be changed at the following intervals, at +20°C or more often, depending on humidity and ambient temperature:

- 15 hours for LW 225 E (P/N: 001374)
- 11,3 hours for LW 245 B (P/N: 001464)

MAINTENANCE AND SERVICE

Filter cartridge change

Filter cartridge change as follows:

- Stop the compressor and open carefully the drain valves. Please wait till the filter housing is completely vented; this procedure takes approx. 1 - 2 minutes.
- When no air discharges from the condensate release hoses, the pressure vessels are depressurized.
- Remove the end filter cover (Fig. 1 / Fig. 2). Remove the filter cover by using the filter tool. The housing can not be opened when it is still under pressure.
- After opening the housing, pull out spring and filter cartridge (Fig. 3).
- Check the condition of the o-ring, and replace if necessary.
- Open the packaging of the new filter cartridge and place it into the filter housing (press slightly).
- Put on the spring (Fig. 3).
- Screw in the filter cover with help of the filter tool.

The filter cartridge change is now completed.



Note

Ensure that the old filter cartridge is disposed correctly at an approved waste point.



Fig. 1 - Filter housing with filter tool

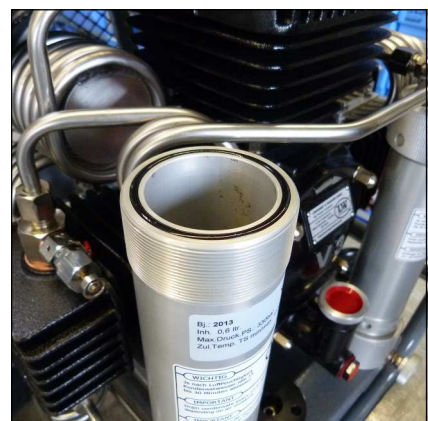


Fig. 2 - Filter housing without filter cover



Fig. 3 - Filter cartridge and spring

P/N	Filtering	Models
001374	DIN EN 12021 (Breathing air)	LW 225 E
001464	DIN EN 12021 (Breathing air) incl. CO/CO2	LW 245 B

Filter housing - maintenance



Note

Grease all o-rings and clean all parts thoroughly before assembly.

Filter housing maintenance as follows:

- Open filter cover with the filter key, extract it (Fig. 1) and pull out spring and filter cartridge (Fig. 2).
- Change o-ring and turn off the filter housing with the filter key (Fig. 3).
- Change o-ring (Fig 4), remove duct collar and also change the other o-rings (Fig. 5).
- Push in duct collar, place filter housing and tighten with the filter key.
- Insert filter cartridge, place spring and tighten filter cover with the filter tool.
- Turn off condensate drain valve completely, change o-ring and turn in condensate drain valve completely (Fig. 6).

The oil / water separator maintenance is now completed.



Abb. 1 - Open filter cover



Abb. 2 - Remove filter cartridge



Abb. 3 - Turn off filter housing



Abb. 4 - Remove lock ring



Abb. 5 - Remove duct collar and change o-rings



Abb. 6 - Change o-ring

Inlet Filter

**Note**

Dirty filters make air intake difficult and reduce delivery capacity. Risk of compressor overheating.

A paper dry filter is used for the inlet filter. Check air inlet filter regularly or replace it. Depending on the degree of contamination, the filter inlet can be cleaned by compressed air. Defective air inlet filters should be immediately replaced with a corresponding filter.

Maintenance intervals

We recommend that the filter cartridge should be replaced every 500 working hours (depending on pollution grade).



Intake filter

MAINTENANCE AND SERVICE

Check or change filter inlet



Note

Clean all parts thoroughly before assembly.

To properly change the filter inlet, proceed as follows:

- Disconnect spring wire clamp at the ventilation hose (Fig. 1).
- Remove mounting screw and pull out filter housing carefully (Fig. 2).
- Clean filter housing and o-rings and check if defective (fissures).
- Place o-ring into the housing (Fig. 3).
- Insert the new cartridge and assemble the housing. Place o-ring into the groove (Fig. 4).
- Place and align the filter housing carefully, inlet port up, hose connector 90° turned to the left (Fig. 5).
- Tighten mounting screw and connect the crankcase housing ventilation hose to the oil fill port (Fig. 6).

The filter inlet change is now completed.



Fig. 1 - Ventilation hose

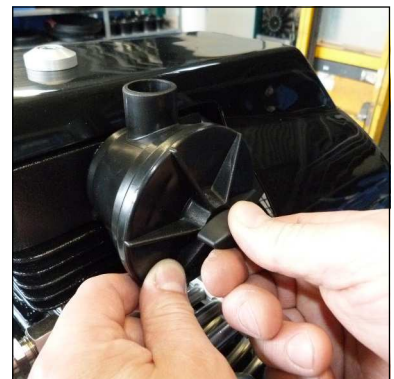


Fig. 2 - Mounting screw



Fig. 3 - O-Ring housing



Fig. 4 - O-Ring groove



Fig. 5 - Inlet filter

MAINTENANCE AND SERVICE

Valve heads and valves

Inlet and outlet valves of the specific compressor stages are located between valve head and cylinder. Inlet valves open while piston downstroke; outlet valves open while upstroke or compression stroke.

Valves are subject to normal wear and tear and have to be replaced at specified intervals (depending on specific operating conditions). Dismount valve heads to change valves. All valves are combined valves; inlet and outlet valves are a single unit.

To change the inlet- and outlet valves it is necessary to remove the fan protection cover!



Fig. 1 - In- and valve 1st stage in cylinderhead



Fig. 2 - In - and outlet valve c/w gaskets 2nd stage (top) und 3. Stufe (below)

Fan protection cover dismantling

Dismantle the fan protection cover as follows:

- Remove top mounting screw (Fig. 1).
- Remove protection plate (Fig. 2).
- Tilt the compressor aside.
- Loosen both bottom mounting screws (Fig. 3).
- Remove fan protection cover.

The fan protection cover dismantling is now completed.

Mounting the fan protection cover

Mount the fan protection cover as follows:

- Tilt the compressor aside.
- Place the fan protection cover.
- Tighten both bottom mounting screws.
- Position the compressor upright.
- Adjust the protection plate between cylinder head and cover.
- Tighten top mounting screw (Fig. 1).

The fan protection cover mounting is now completed.



Fig. 1 - Remove top mounting screws



Fig. 2 - Remove protection plate



Fig. 3 - Loosen both bottom mounting screws

Replace in- & outlet valve 1st stage



Note

The figures can differ from the delivered parts.

Replace the inlet and outlet valve 1st stage as follows:

- Disconnect spring wire clamp at the ventilation hose (Fig. 1).
- Loosen pipe connections (Fig. 2).
- Remove valve head screws (Fig.3).
- Check valve head if defective (check centre pin)
- Remove lower valve gasket (Fig. 4).
- Remove in- and outlet valve (Fig.5.).
- Remove upper valve gasket.

Install inlet / outlet valve - see following page.



Fig. 1 - Spring wire clamp

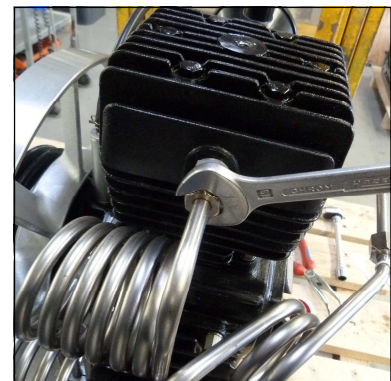


Fig. 2 - Pipe connection



Fig. 3- Valve head screws



Fig. 4 - Lower valve gasket



Fig. 5 - Remove in- and outlet valve

MAINTENANCE AND SERVICE

Replace in- & outlet valve 1st stage



Note

The figures can differ from the delivered parts.

Replace the inlet and outlet valve 1st stage as follows:

- Insert lower valve gasket (Fig.1).
- Insert upper valve gasket (Fig.2).
- Insert in- and outlet valve. CAUTION: Observe correct position between valve centre hole and valve head locating pin (Fig. 2+3).
- Place valve head carefully on top of the cylinder (take care to keep valve in place) (Fig.4)
- Tighten valve head screws crosswise (Fig.5).
- Set tight connecting nut and fix vent hose to air intake housing. Don't forget to fix spring wire clamp (Fig. 7).

Inlet and outlet valves change 1st stage is now completed.



Fig. 1 - Lower valve gasket



Fig. 2 - Correct position of in-and outlet valve

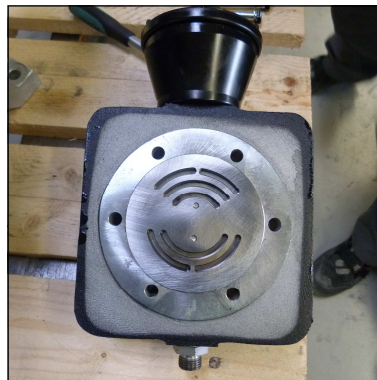


Fig. 3 - Correct position of in-and outlet valve

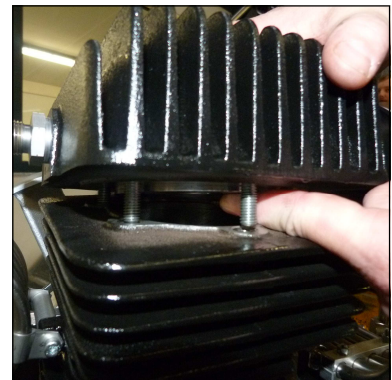


Fig. 4 - Take care to keep valve in place



Fig. 5 - Valve head screws

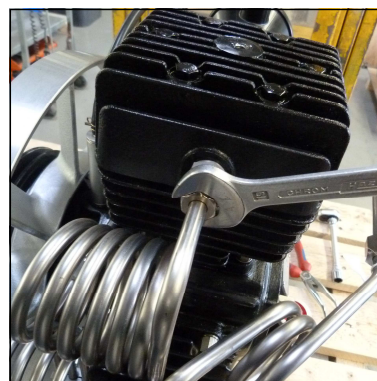


Fig. 6 - Pipe connection



Fig. 7 - Fix spring wire clamp

MAINTENANCE AND SERVICE

Replace inlet and outlet valve 2nd stage

Replace the inlet and outlet valve 2nd stage as follows:

- Loosen pipe connections (Fig. 1).
- Loosen valve head screws (Fig. 2).
- Remove valve head (Fig. 3) Observe that the lower valve gasket is also pulled out. It can still stick inside the cylinder head.
- Remove inlet / outlet valve.
- Check valve head if defective (check locating pin).
- Change upper valve gasket (o-ring).
- Change lower valve gasket (aluminium gasket).
- Insert new inlet and outlet valve into the valve head (Fig. 4). CAUTION: Observe correct position between valve centre hole and valve head locating pin.
- Place the valve head with the new inlet and outlet valve.
- Place pipe connections.
- Tighten valve head screws crosswise (Fig. 2).
- Tighten pipe connections (Fig. 1).

Inlet and outlet valves change 2nd stage is now completed.

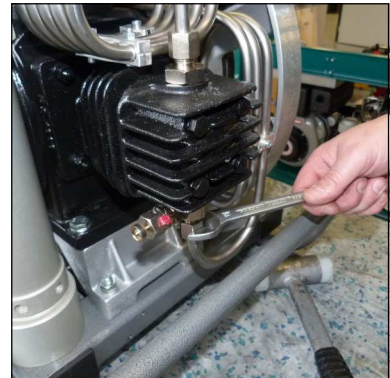


Fig. 1 - Loosen pipe connections



Fig. 2 - Loosen valve head screws



Fig. 3 - Remove valve head



Fig. 4 - Ensure correct valve position (centre pin)

Replace inlet and outlet valve 3rd stage



Hinweis

Before changing the in and outlet valve the motor of the compressor must be removed.
(See Maintenance and Service -> Motor change)

Replace the inlet and outlet valve 3rd stage as follows:

- Loosen pipe connections of the water separator 2nd stage and the filter housing (Fig. 1+2).
- Remove mounting screws from the cooling pipe bracket (Fig. 3).
- Loosen valve head screws.
- Remove valve head (Fig. 4) Observe that the lower valve gasket is also pulled out. It can still stick inside the compressor.
- Remove inlet / outlet valve.
- Check valve head if defective (check locating pin).
- Change upper valve gasket (o-ring).
- Change lower valve gasket (aluminium gasket).
- Insert new inlet and outlet valve into the valve head (Fig. 5).
CAUTION: Observe correct position between valve centre hole and valve head locating pin.
- Place the valve head with the new inlet and outlet valve.
- Tighten pipe connections.
- Tighten valve head screws crosswise (Fig. 2).
- Tighten mounting screws of the cooling pipe bracket (Fig. 3).
- Tighten pipe connections (Fig. 1+2).



Fig. 1 - Loosen pipe connections of the water separator



Fig. 2 - Loosen pipe connections of the filter housing

Inlet and outlet valves change 3rd stage is now completed.



Fig. 3 - Remove mounting screws from the cooling pipe bracket



Fig. 4 - Remove valve head with inlet and outlet valve



Fig. 5 - Ensure correct valve position (centre pin)

MAINTENANCE AND SERVICE

Safety valves

Every pressure stage is equipped with a separate over pressure safety valve. Safety Valves avoid a non permissible high pressure at the specific pressure stages and limit maximum operation pressure of the compressor.

Safety valves are adjusted to:

- 1st Stage: 14 bar
- 2nd Stage: 80 bar
- 3rd Stage: max. final pressure

The adjusted blow-off pressure [bar] of the safety valves is indicated on their housings.

All safety valves are factory sealed with special L&W safety seals to avoid manipulation of the limit value settings.

Safety valves with removed seals have to be immediately checked for the prescribed settings and replaced if necessary.

The safety valve of the final stage is furthermore equipped with a knurled screw to be activated once.

Turning the knurled screw clockwise could vent the valve completely and therefore the final filter housing.

During normal operation conditions, the knurled screw has to be turned anti-clockwise up to the upper stop. An integrated circlip avoids complete unscrewing.

If a safety valve blows off, it indicates problems with either inlet or outlet valve of the following stage.

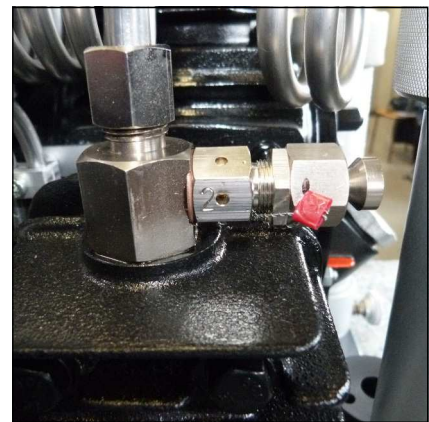


Fig. 1 - Safety valve 2nd stage



Fig. 2 - Safety valve 3rd stage



Note

Replace defective safety valves immediately!

Pressure maintaining / non return valve

The pressure maintaining / non return valve combination is placed in the flow direction after the final filter housing.

Pressure maintaining valve

The pressure maintaining valve drains a large part of the water content of the compressed air mechanically by ensuring the minimum outlet pressure. This guarantees optimal drying and purification of the breathing air.

After starting the compressor, the pressure inside the final filter housing constantly increases. The pressure maintaining valve prevents the compressed air from blowing off (final pressure gauge = 0 bar).

When the adjusted opening pressure is reached (150 and 180 bar), the purified compressed air flows via pressure maintaining and non return valve to the filling valve.

The value of the opening pressure of the pressure maintaining valve can be read at the final pressure gauge. When opening pressure is reached, the pressure gauge value increases within a few seconds.

Adjust pressure maintaining valve see next page.

Non return valve

The non return valve which is placed after the pressure maintaining valve, prevents the purified breathing air from flowing back into the filter housing / condensate drain valves.

After compressor stop, the indicated filling pressure remains constant, if the non return valve is working correctly.



Pressure maintaining / non return valve

MAINTENANCE AND SERVICE

A

Adjust pressure maintaining valve

- Vent filling valve and close afterwards (filling pressure gauge 0 bar)
- Start the compressor
- Observe filling pressure gauge
- When the opening pressure of the pressure maintaining valve is reached, the indicated filling pressure increases within some seconds from 0 bar up to the adjusted opening pressure.

If the opening pressure does not reach a value between 150 and 180 bar, adjust the pressure maintaining valve as follows:

Increase opening pressure:

- Vent filling valve (filling pressure 0 bar)
- Loosen clamp nut
- Turn adjusting screw clockwise by using a suitable slotted screwdriver
- Start compressor and check opening pressure, adjust if necessary
- Tighten clamp nut
- Check opening pressure again

Reduce opening pressure:

- Vent filling valve (filling pressure 0 bar)
- Loosen clamp nut
- Turn adjusting screw anti-clockwise by using a suitable slotted screwdriver
- Start compressor and check opening pressure, adjust if necessary
- Tighten clamp nut
- Check opening pressure again



Note

If the adjusted opening pressure of the pressure maintaining valve is higher than the final pressure of the compressor, the final pressure safety valve blows off before pressure maintaining valve opens (final pressure = 0 bar). When valve settings are not clear (e.g. after disassembly / repair), start the adjustment with a low basic setting (turn adjusting bolt 3 full turns in).

MAINTENANCE AND SERVICE

O-rings - filling valve and filling hose

Check o-rings from filling valve and filling hose regularly and change if necessary.



Note

Clean all parts thoroughly before assembly.

O-ring at the filling valve

- Change o-ring, previously grease new o-ring (Fig. 1)

O-ring at the filling hose

- Remove filling hose from the filling valve (Fig. 2)
- Change o-ring, previously grease new o-ring
- Connect filling hose to the filling valve and tighten



Fig. 1 - O-ring at the filling valve



Fig. 2 - O-ring at the filling hose

MAINTENANCE AND SERVICE

Motor change

The drive motors of the LW 225 and LW 245 are generally interchangeable.



Warning

Do not carry out modifications when the unit is hot.

Motor change as follows:

- Switch off the compressor unit, pull the plug if necessary
- Remove V-belt cover
- Remove mounting screws of the motor flange
- Remove motor tensioner bolt
- Remove V-belt
- Remove motor v-belt pulley
- Remove motor carefully
- Place new motor
- Mount motor v-belt pulley
- Mount flange mounting screws and tighten nuts slightly
- Insert motor tensioner bolt
- Check/Ensure the alignment of both key slots (motor & compressor)
- Tension V-belt
- Tighten flange mounting screws
- Place V-belt cover and tighten mounting screws
- Ensure clearance of the V-belt cover

MAINTENANCE AND SERVICE

Test of pressure equipment

According to the Pressure Equipment Directive (PED 97/23/EC) and TÜV Darmstadt (German supervising authorities). State: 10th of December, 2005

Subject pressure equipment with a product permissible operating pressure [bar] x content volume [litres] from 200 up to max. 1000.

Example: Filter housing 0.5 l

Maximum operating pressure: 350 bar

Content volume: 0.5 litres

$350 \text{ bar} \times 0.5 \text{ litres} = 175$

175 is smaller than the minimum of 200 -> result: Test is not applicable!!

Pressure equipment from 200 up to 1000 have to be tested as follows:

1. Examination after 5 years by a qualified person or authorized organisations.

Visual inspection, inside and outside.

2. Examination after 10 years by a qualified person or authorized organisations.

Visual inspection, inside and outside.

In addition, a water pressure test is carried out at 1.5 times of the permissible vessel operating pressure.



A

MAINTENANCE RECORDS

STORAGE



Note

Please check the specific handbook of the petrol engine regarding conservation / storage, de-conservation and commissioning of the LW 100 B compressors.

A

Conservation / storage of the compressor

If the compressor is not to be used for an extended period of time, we recommend the following conservation work to be carried out before the storage:

- Run the compressor at 200 bar for approx. ten minutes
- Drain warm oil and replace by new oil.
- Open filling valves and run the compressor for a few minutes.
- Stop the compressor and open the drain valves.
- Close filling valves.
- Open the final filter housing and lubricate the O-Ring with a food grade grease or silicone grease.
- Store the compressor in a cool dry place free from dust and contamination. A cover is recommended as long as condensation can be avoided.

De-conservation, commissioning

After the compressor has been stored, the following steps are to be taken:

- Replace the final purification filter.
- Check oil level, replace oil if necessary. Fuel driven units only: fill up fuel tank to top level.
- Inspect the condition of the v-belts, replace if necessary
- Check all connections and pipe work for leaks, retighten if necessary.
- Inspect the filling hoses visually for signs of deterioration, replace as necessary.
- Fix filling valves by e.g. cable strips to avoid whipping around wildly. Open filling valves.
- Open the filling valves and run the compressor for approx 10 minutes with the filling valves open.
- Close the filing valves and allow the compressor to build up to working pressure.
- Check the correct safety valve setting and/or pressure switch setting (option).

Once the above steps are completed to satisfaction, the unit is ready to use.

STORAGE

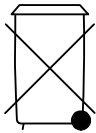
Transportation instructions

- Parts which need to be dismantled for transport purposes must be carefully replaced and secured before taking into operation.
- The transport may only be carried out by trained personnel.
- For transportation, only use lifting devices and equipment with sufficient lifting power.
- Do not stand or work under suspended loads.
- Also separate from minor relocation machinery / system of any external energy supply. Before recommissioning, reconnect the machine to the mains according to regulations.
- When recommissioning, proceed according to the operating instructions..

Disposal

The product must be disposed in accordance with national waste disposal regulations and by an appropriate waste disposal company.

Electric and electronic components



EU-wide regulations for the disposal of electric and electronic appliances which have been defined in the EU Directive 2002/96/EC and in national laws are effective from August 2005 and apply to this device.

Common household appliances can be disposed by using special collecting and recycling facilities. However, as this device has not been registered for household usage, it must not be disposed of through these means.

The device can be returned to L&W. Please do not hesitate to contact us if you have any further questions on this issue.



**ERSATZTEILLISTEN / SPARE PARTS LISTS
DETAILANSICHTEN / DETAILED VIEWS**

B



Inhaltsverzeichnis - Table of Contents

Kurbelgehäuse - Crankcase	2
Kurbeltrieb - Crank Drive.....	4
Zylinder & Ventilköpfe - Cylinders and Valve Heads	6
Tragrahmen - Carrying Handles.....	8
Kühlrohre - Cooling Pipes.....	10
Lüfterrad - Cooling Fan Wheel	12
E-Motor	14
Benzin Motor - Bencine Motor	16
Öl-Wasserabscheider 2. Stufe - Oil-Water Separator 2nd Stage.....	18
Filtergehäuse - Filter Housing.....	20
Sicherheitsventil - Safety Valve	22
Ansaugfilter - Intake Filter.....	24
Füllschlauch - Filling Hose	26
Kreuzventil - Cross Design Valve	27



ERSATZTEILLISTE / SPARE PART LIST

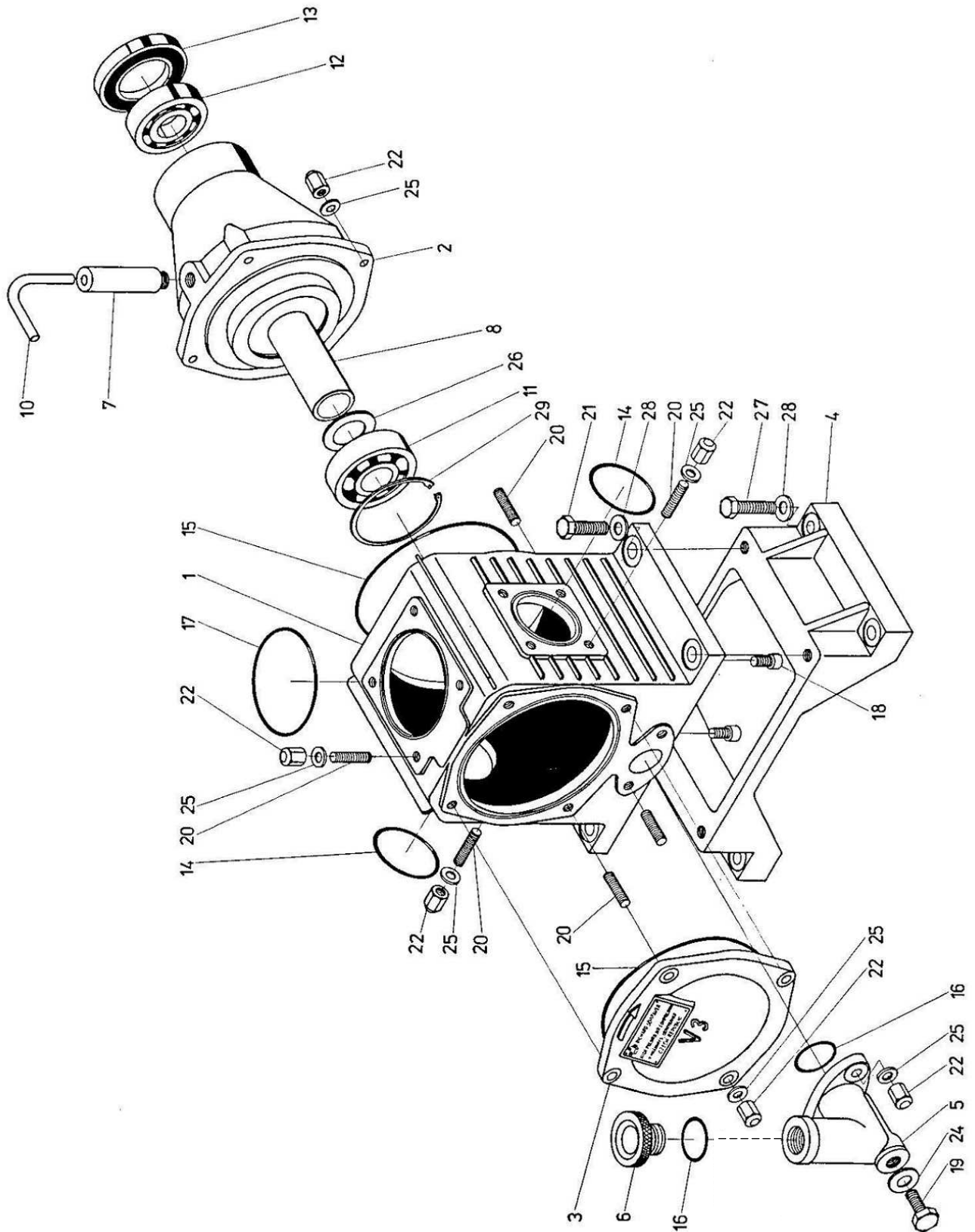
Kurbelgehäuse / Crankcase

Pos.	Best.-Nr. / P/N.	Benennung	Description
1	004121	Kurbelgehäuse	Crankcase
2	006676	Lagerflansch, Aluminium	Main Bearing Flange, alloy
3	008163	Gehäusedeckel	Housing Cover
4	000132	Staender für Block	Alloy Block Stand, casted
5	007281	Öleinfüllstutzen	Oil Filler Neck
6	000078	Öleinfüllschraube und Peilstab	Oil Filler Plug c/w dipstick
7	000073	Öldampfabscheider	Oil Steam Separator
8	000080	Distanzrohr	Spacer Tube
10	004856	Schlauch Kurbelgehäuseentlüftung	Hose (crankcase ventilation)
11	000060	Kugellager	Ball Bearing
12	000059	Kugellager	Ball Bearing
13	000018	Radial-Wellendichtung	Shaft Seal
14	000017	O-Ring 52 x 3 NBR70	O-Ring 52 x 3 NBR70
15	000013	O-Ring 130 x 3 NBR70	O-Ring 130 x 3 NBR70
16	002523	O-Ring 30 x 2 NBR70	O-Ring 30 x 2 NBR70
17	000014	O-Ring 85 x 2	O-Ring 85 x 2
18	001042	Zylinderschraube	Allen Screw
19	001131	Sechskantschraube	Hexagon Screw
20	000960	Stiftschraube	Threaded Stud
21	001101	Sechskantschraube	Hexagon Screw
22	008162	Hutmutter M8, vernickelt	Domed Nut M8
24	000019	Dichtscheibe	Seal Washer
25	001181	U-Scheibe A8	Washer A8
26	000081	Unterlegscheibe	Washer
27	001102	Sechskantschraube	Hexagon Screw
28	001186	U-Scheibe A10	Washer A10
29	000024	Seegering	Circlip

B

DETAILANSICHT / DETAILED VIEW

Kurbelgehäuse / Crankcase



B



ERSATZTEILLISTE / SPARE PART LIST

Kurbeltrieb / Crank Drive

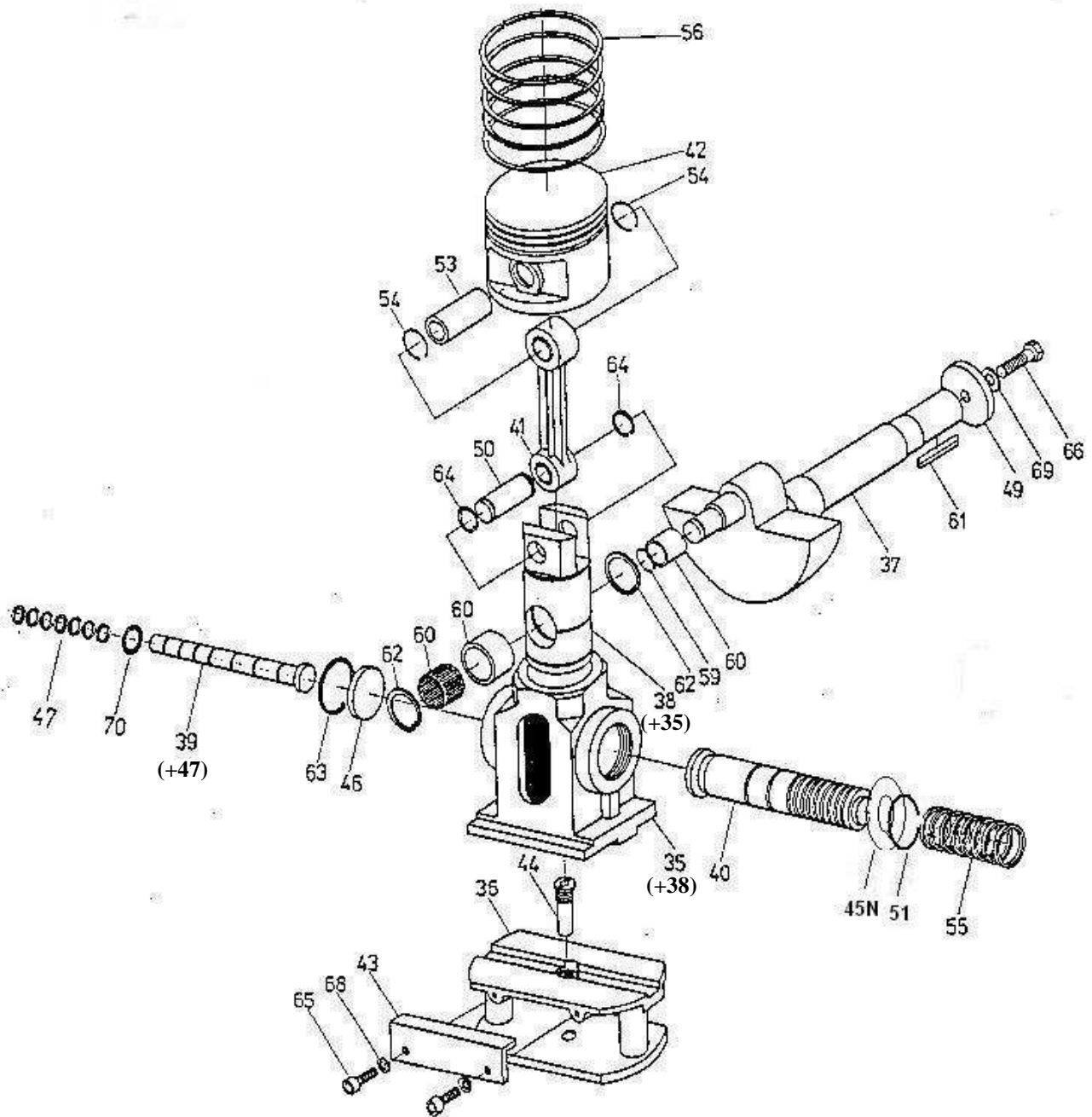
Pos.	Best.-Nr. / P/N.	Benennung	Description
35	000097	Kreuzkopf und Kulisse	Slider & Plunger Assembly
36	000095	Gleitbrücke	Sliding Bridge
37	000062	Kurbelwelle	Crankshaft
38	000097	Kreuzkopf und Kulisse	Slider & Plunger Assembly
39	000045	Kolben 3. Stufe inkl. Kolbenringe	Piston 3rd stage incl. Piston Rings
40	000052	Kolben 2. Stufe	Piston 2nd stage
41	000057	Pleuel 1. Stufe	Conrod 1st Stage
42	000046	Kolben 1. Stufe	Piston 1st stage
43	000096	Gleitleiste	Guide Bar
44	000098	Öldüse	Oil Jet
45N	008166	Haltescheibe für Kolben	Holding Disc for Piston
46	000055	Kolbenstossplatte 3. Stufe	Piston Push Pad 3rd stage
47	000056	Kolbenringe 3. Stufe (Kompletter Satz)	Piston Rings 3rd Stage (Complete Set)
49	003983	Anlaufscheibe Schwungrad	Washer, Flywheel
50	000049	Unterer Pleuelbolzen 1. Stufe	Lower Gudgeon Pin 1st stage
51	008165	Sicherungsring I40	Circlip I40
53	000048	Kolbenbolzen 1. Stufe	Piston Pin, 1st Stage
54	001355	Sicherungsring I20	Circlip I20
55	000053	Kolbenringe 2. Stufe (Kompletter Satz)	Piston Rings 2nd Stage (Complete Set)
56	000047	Kolbenringe 1. Stufe (Kompletter Satz)	Piston Rings 1st Stage (Complete Set)
59	000021	Seegering	Circlip
60	000061	Nadellager (komplett)	Needle Bearing (Complete)
61	000079	Passfeder	Woodruff Key
62	000022	Seegering	Circlip
63	000023	Seegering	Circlip
64	000020	Seegering	Circlip
65	001029	Zylinderschraube	Allen Screw
66	001083	Sechskantschraube	Hexagon Screw
68	001148	Unterlegscheibe	Washer
69	001181	Unterlegscheibe	Washer
70	002065	O-Ring	O-Ring

B

DETAILANSICHT / DETAILED VIEW

Kurbeltrieb / Crank Drive

B





ERSATZTEILLISTE / SPARE PART LIST

Zylinder & Ventilköpfe / Cylinders & Valve Heads

Pos.	Best.-Nr. / P/N.	Benennung	Description
72	000031	Saug-Druckventil 2. Stufe inkl. Dichtung und O-Ring	In-& Outlet Valve 2nd Stage incl. Gasket and O-Ring
73	000032	Saug-Druckventil 3. Stufe inkl. Dichtung und O-Ring	In-& Outlet Valve 3rd Stage incl. Gasket and O-Ring
75	000137	Zylinder 3. Stufe (mit Kolben & Kolbenringe)	Cylinder, 3rd stage (c/w piston and piston rings)
	008633	Zylinder 3. Stufe (ohne Kolben & Kolbenringe)	Cylinder 3rd stage (w/opiston and piston rings)
76	000136	Zylinder 2. Stufe	Cylinder 2nd Stage
77	000145	Zylinder 1. Stufe	Cylinder 1st Stage
78	003653	Ventilkopf 1. Stufe	Valve Head 1st Stage
79	000134	Ventilkopf 3. Stufe	Valve Head 3rd Stage
80	000133	Ventilkopf 2. Stufe	Valve Head 2nd Stage
82	000092	Verschraubung Kreuzverschr. 3. Stufe	Connection Cross Block 3rd Stage
83	000041	Sicherheitsventil 2. Stufe	Safety Valve 2nd Stage
84	000039	Sicherheitsventil 1. Stufe	Safety Valve 1st Stage
85	000091	Verschraubung	Connection
86	000787	Verschraubung Auslass 1. Stufe	Connection Outlet 1st Stage
88	003652	Saug-Druckventil 1. Stufe	In-& Outlet Valve 1st Stage
91	003063	Ventildichtung unten, 3. Stufe, Alu	Lower Valve Gasket, 3rd stage, Alloy
98	003062	Ventildichtung unten, 2. Stufe, Alu	Lower Valve Gasket, 2nd stage, Alloy
105	001329	CU-Ring	Copper Seal Ring
106	001084	Sechskantschraube	Hexagon Screw
108	001181	U-Scheibe A8	Washer A8
109	003651	Dichtung Ventil 1. Stufe oben	Upper Valve Gasket 1st stage
110	000034	O-Ring Ventildichtring	O-Ring Valve seal ring
113	002939	Entlüftungsröhrchen Eingang 1. Stufe	Ventilation pipe 1st stage
114	001060	Zylinderschraube	Allen Bolt
119	000038	Distanzscheibe Ventilkopf 1. Stufe	Spacer Valve Head 1st Stage

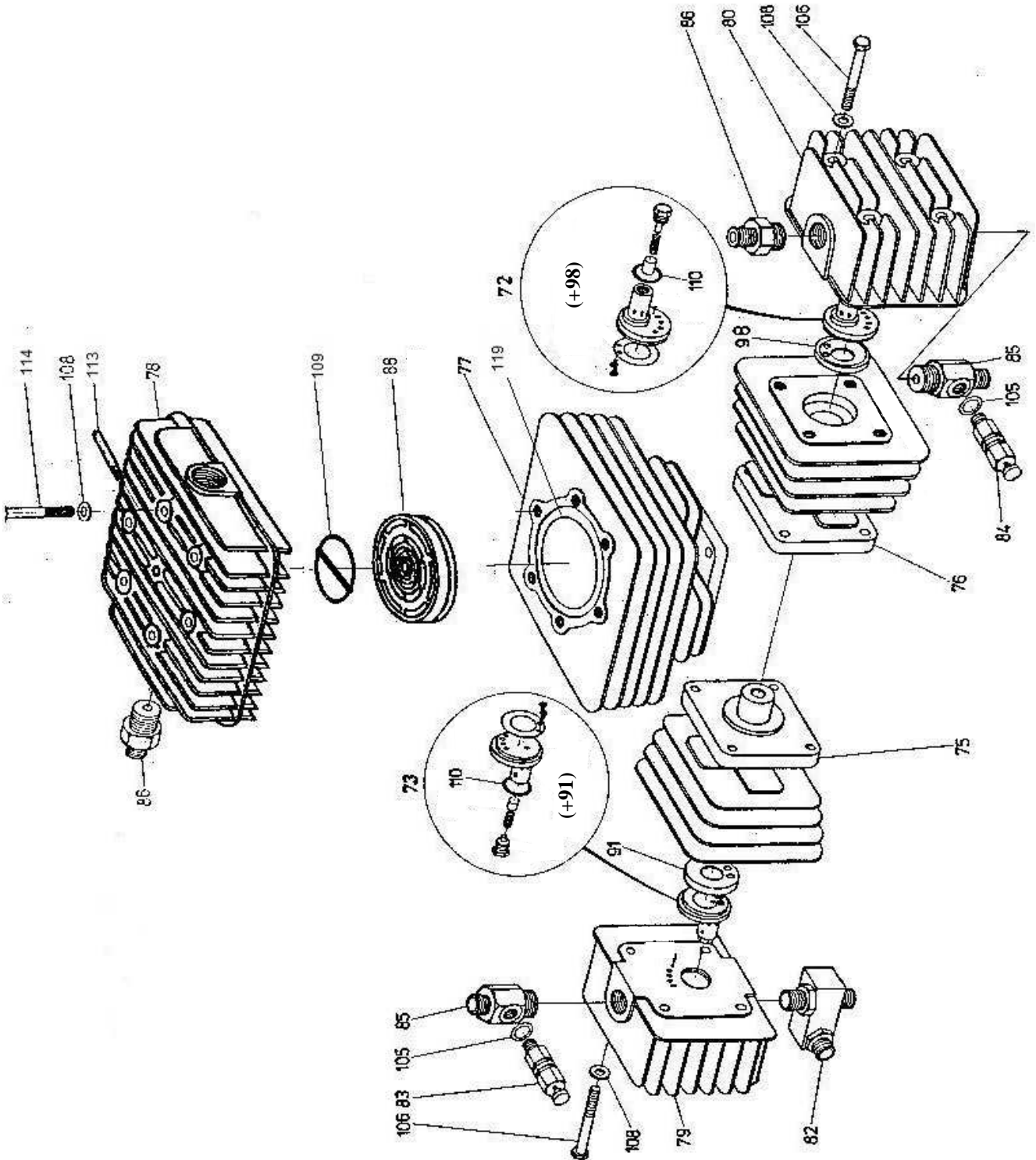
B

(+91)



DETAILANSICHT / DETAILED VIEW

Zylinder & Ventilköpfe / Cylinders & Valve Heads



B



ERSATZTEILLISTE / SPARE PART LIST

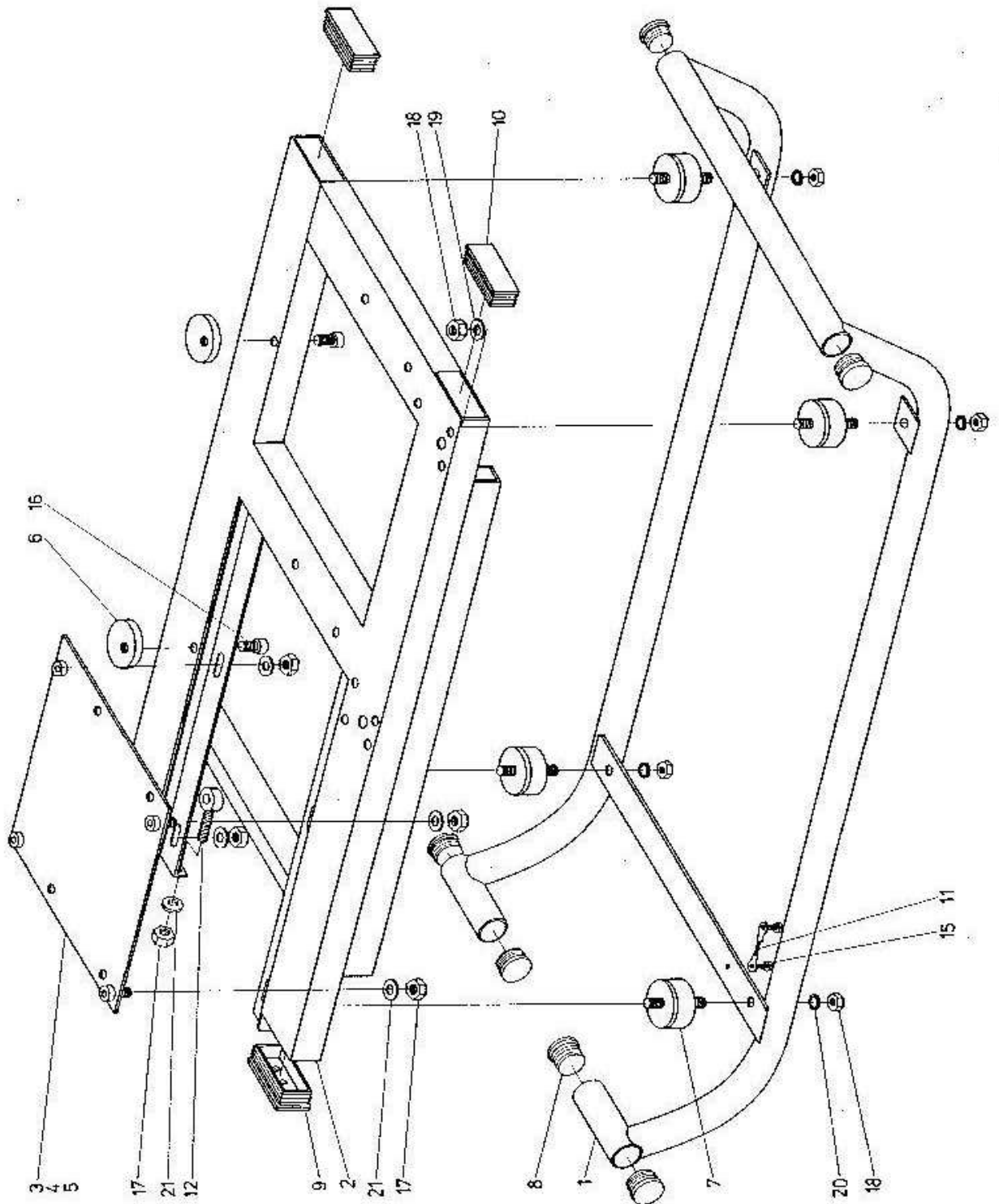
Tragrahmen / Carrying Frame

Pos.	Best.-Nr. / P/N.	Benennung	Description
1	004085	Tragrahmen	Carrying Frame
2	004086	Befestigungsrahmen Kompressor	Frame Compressor
3	000120	Motorplatte Komplett LW 160 E	Motor Mounting Plate LW 160 E
4	000121	Motorplatte Komplett LW 225 E	Motor Mounting Plate LW 225 E
5	000122	Motorplatte Komplett LW 190 / 245 B	Motor Mounting Plate LW 190 / 245 B
6	000074	Klemmscheibe Abdeckung	Alloy Clamp Washer - Cover
7	004087	Gummilager Rahmen	Rubber bearing, frame
8	004088	Verschlussstopfen Rund	Plug, round
9	000103	Verschlussstopfen Eckig mit Bohrung	Square Plastic Caps Frame
10	004090	Verschlussstopfen Eckig	Plug, angular
11	004091	Massekabel	Earth cable
12	004092	Spannschraube für Keilriemen	Clamp screw for v-belt
15	004093	Blechschaube	Sheet metal screw
16	004094	Inbusschraube	Allen screw
17	001163	Mutter M10	Nut M10
18	004089	Mutter M8	Nut M8
19	004096	Unterlegscheibe für M8	Washer for M8
20	004096	Unterlegscheibe für M8	Washer for M8
21	004097	Unterlegscheibe für M10	Washer for M10

B

DETAILANSICHT / DETAILED VIEW

Tragrahmen / Carrying Frame



B



ERSATZTEILLISTE / SPARE PART LIST

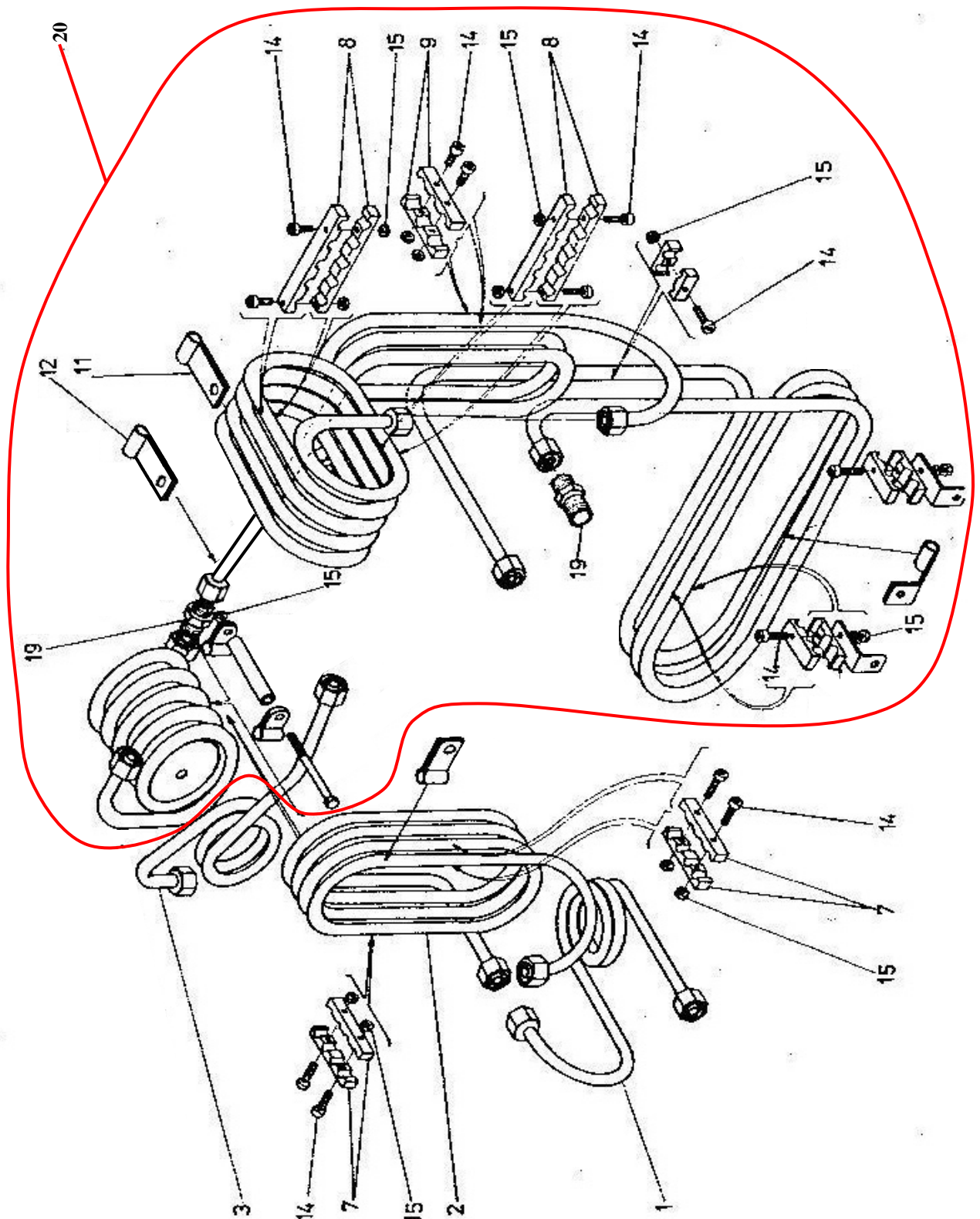
Kühlrohre / Cooling Pipes

Pos.	Best.-Nr. / P/N.	Benennung	Description
1	000010	Filtergehäuse Kühlrohr 3. Stufe	Final Cooling Pipe 3rd Stage
2	000009	Kühlrohr komplett 3. Stufe	Cooling Pipe 3rd Stage
3	000011	Kühlrohr 2. zu 3. Stufe Wasserabscheider	Cooling Pipe 2nd to 3rd stage
7	006677	Alu Kühlrohrhalteklammern (1 Paar)	Alloy clamp for cooling pipe (1 Pair)
8	006726	Alu Kühlrohrhalteklammern (1 Paar)	Alloy clamp for cooling pipe (1 Pair)
9	005111	Alu Kühlrohrhalteklammern (1 Paar)	Alloy clamp for cooling pipe (1 Pair)
11	004248	Halteklammer	Holding clamp
12	004248	Halteklammer	Holding clamp
14	001006	Zylinderschraube	Allen Screw
15	001151	Mutter M5	Nut M5
19	000780	Verschraubung G10L	Connection G10L
20	008176	Kühlrohr 1. zu 2. Stufe Wasserabscheider	Cooling Pipe 1st to 2nd stage

B

DETAILANSICHT / DETAILED VIEW

Kühlrohre / Cooling Pipes



B



ERSATZTEILLISTE / SPARE PART LIST

Lüfterrad / Cooling Fan Wheel

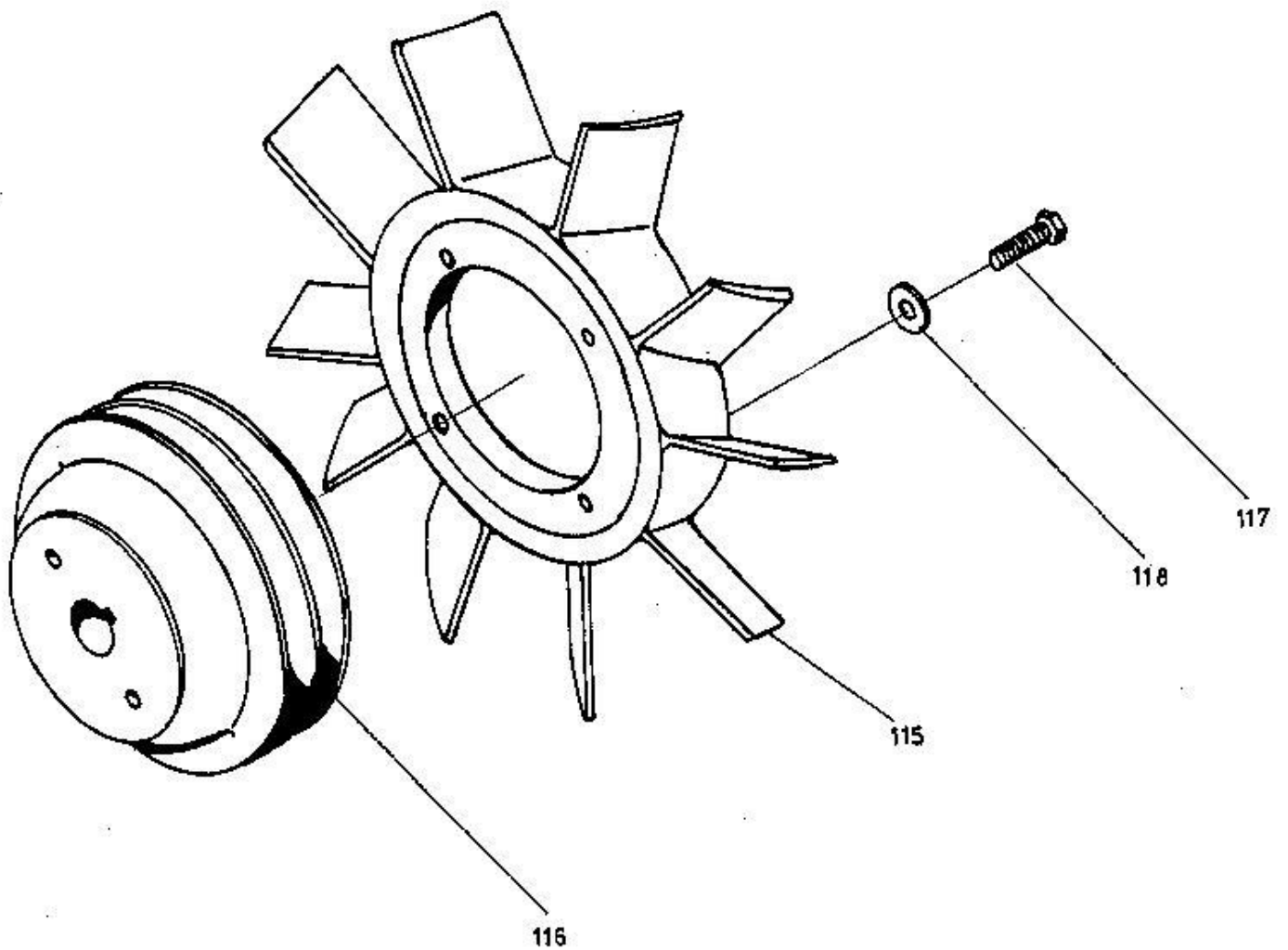
Pos.	Best.-Nr. / P/N.	Benennung	Description
115	000027	Lüfterrad	Cooling Fan Wheel
116	002801	Keilriemenscheibe	V-belt pulley
117	001082	Sechskantschraube	Hexagon screw
118	004096	Unterlegscheibe	Washer

B

DETAILANSICHT / DETAILED VIEW

Lüfterrad / Cooling Fan Wheel

B





ERSATZTEILLISTE / SPARE PART LIST

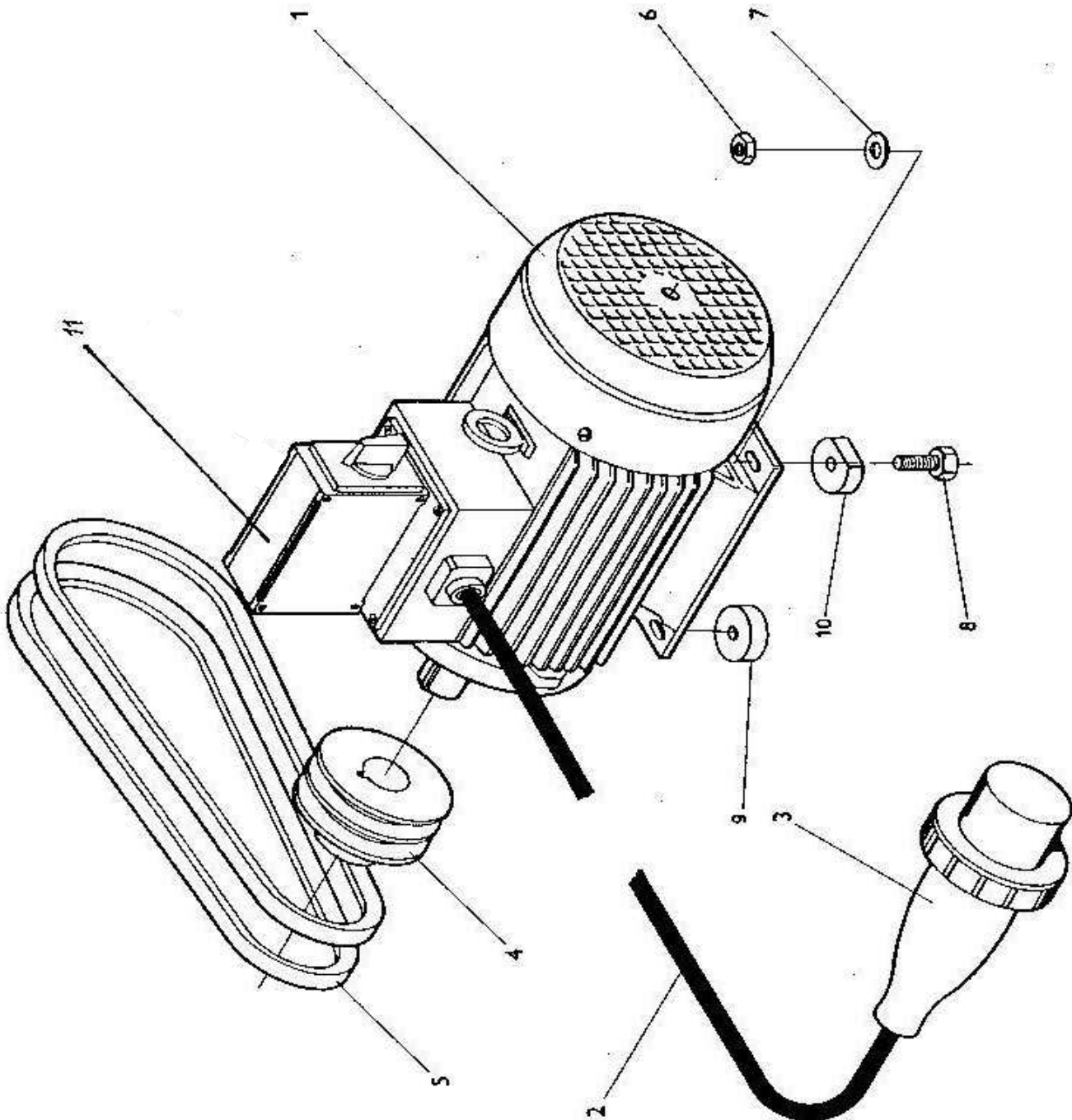
E - Motor

Pos.	Best.-Nr. / P/N.	Benennung	Description
1	002239	Motor LW225 (400V – 50/60Hz – 3~)	Motor LW225 (400V—50/60Hz—3~)
	005009	Motor LW225 (230V – 50/60Hz – 3~)	Motor LW225 (230V – 50/60Hz – 3~)
	005032	Motor LW225 (230V – 50/60Hz – 1~)	Motor LW225 (230V – 50/60Hz – 1~)
2	003680	Anschlusskabel 2,5m	Cable 2.5m
3	002084	Stecker 16A	Plug 16A
4	000164	Riemenscheibe (50Hz, 3~)	Pulley (50Hz, 3~)
	006668	Riemenscheibe (60Hz, 3~)	Pulley (60Hz, 3~)
	006668	Riemenscheibe (50Hz, 1~)	Pulley (50Hz, 1~)
5	000123	Keilriemen (50Hz, 3~)	V-belt (50Hz, 3~)
	000125	Keilriemen (60Hz, 3~)	V-belt (60Hz, 3~)
	000125	Keilriemen (50Hz, 1~)	V-belt (50Hz, 1~)
6	001164	Stopfmutter M10	Lock Nut M10
7	001186	U-Scheibe A10	Washer A10
8	001104	Sechskantschraube	Hexagon Screw
9	008160	Distanzscheibe E-Motor, standard Version	Spacer Motor, standard version
10	006675	Distanzscheibe E-Motor, abgeflachte Version	Spacer Motor, flatted version
11	000153	Ein/Aus Schalter m. Phasenwender	ON/OFF Switch with phase changer

B

DETAILANSICHT / DETAILED VIEW

E - Motor



B



ERSATZTEILLISTE / SPARE PART LIST

Benzin - Motor / Bencine - Motor

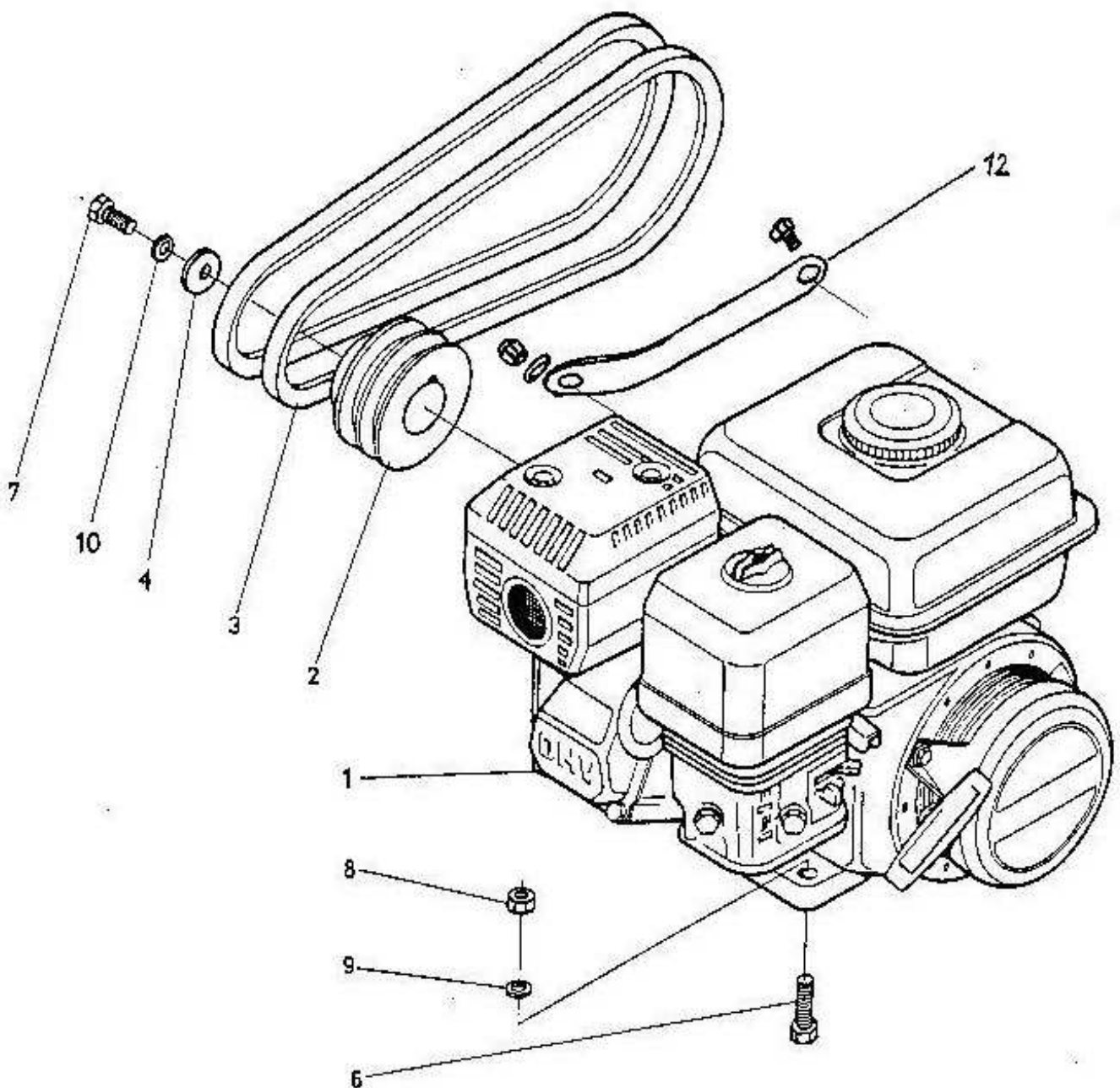
Pos.	Best.-Nr. / P/N.	Benennung	Description
1	002238	Motor LW 190 B / LW 245 B	Motor LW 190 B / LW 245 B
2	000159	Riemenscheibe LW 190 B	Pulley LW 190 B
	002801	Riemenscheibe LW 245 B	Pulley LW 245 B
3	000163	Keilriemen LW 190 B	V-belt LW 190 B
	003799	Keilriemen LW 245 B	V-belt LW 245 B
4	008161	Unterlegscheibe, Motorriemenscheibe	Washer Engine Pulley
6	001103	Sechskantschraube	Hexagon Screw
7	001082	Sechskantschraube	Hexagon Screw
8	001164	Stopmutter M10	Lock Nut M10
9	001186	U-Scheibe A10	Washer A10
10	001184	Schnorr-Scheibe	Clamp Washer
12	006674	Auspuffhalterung Krümmer/Block	Exhaust bracket
13	001081	Sechskantschraube	Hexagon Screw
14	001186	U-Scheibe A10	Washer A10
15	008117	Spezielle Hutmutter M8, Auspuffhaltestrebe	Special Domed Nut M8, Exhaust Bracket

B

DETAILANSICHT / DETAILED VIEW

Benzin - Motor / Bencine - Motor

B





ERSATZTEILLISTE / SPARE PART LIST

Öl-Wasserabscheider 2. Stufe / Oil-Water Separator 2nd stage

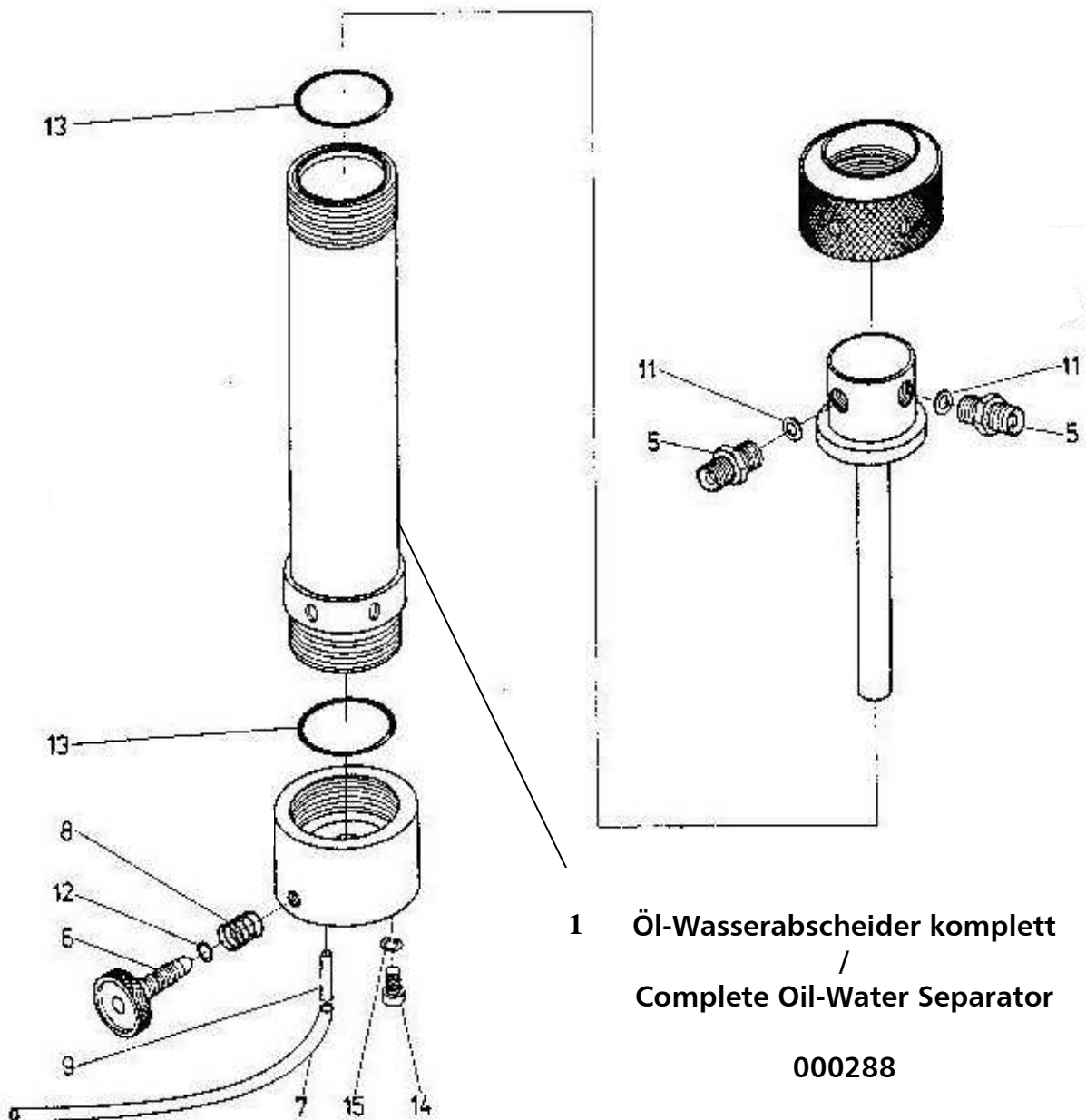
Pos.	Best.-Nr. / P/N.	Benennung	Description
1	000288	Öl-Wasserabscheider komplett	Complete Oil-Water Separator
5	000786	Verschraubung	Connection
6	000040	Entwässerungsspindel	Condensate Drain Spindle
7	003000	Kondensatschläuche (2Stk.)	Condensate Hoses (2pcs)
8	000042	Feder, Entwässerungsspindel	Spring, Condensate Drain Spindle
9	004398	Kondensatablaßstutzen	Condensate Outlet Sleeve
11	001321	Kupferring	Copper ring
12	000043	O-Ring, Entwässerungsspindel	O-Ring, Condensate Drain Spindle
13	000016	O-Ring, Gehäuse	O-Ring, Housing
14	001039	Zylinderschraube	Allen Screw
15	004104	Federscheibe	Lock Washer

B

DETAILANSICHT / DETAILED VIEW

Öl-Wasserabscheider 2. Stufe / Oil-Water Separator 2nd stage

B





ERSATZTEILLISTE / SPARE PART LIST

Filtergehäuse / Filter Housing

Pos.	Best.-Nr. / P/N.	Benennung	Description
1	000162	Filtergehäuse komplett	Filter Housing Complete
4	000072	Stutzen inkl. O-Ring Filtergehäuse	Inner Manifold & O-Ring
5	001374	Filterpatrone ohne CO/CO2 Filterung	Filter Cartridge w/o CO/CO2 filtration
	001464	Filterpatrone inkl. CO/CO2 Filterung	Filter Cartridge incl. CO/CO2 filtration
6	000147	Halteklötz Sicherheitsventil (3/8" IG)	Mounting Base Safety Valve (3/8inch female)
7	000086	Druckhalteventil	Pressure Maintaining Valve
9	000040	Entwässerungsspindel	Condensate Drain Spindle
10	000087	Verschraubung Druckhalteventil	Connection Pressure Maintaining Valve
11	000090	Verschraubung	Connection
12	000070	Verbindungsstutzen, Wasserabscheider	Coupler Water Separator
13	004398	Kondensatablaßstutzen	Condensate Outlet Sleeve
14	003000	Kondensatschläuche (2Stk.)	Condensate Hoses (2pcs)
24	000042	Feder, Entwässerungsspindel	Spring Drain Spindle
25	000094	Feder Filterpatrone	Spring Filter Cartridge
26	002809	CU-Ring (Kupfer)	CU-Ring (Copper)
27	000088	Kupferdichtung	Copper Washer
30	003064	O-Ring	O-Ring
31	003692	O-Ring Patronenhaltensockel	O-Ring Cartridge Base
32	000043	O-Ring Entwässerungsspindel	O-Ring Spring Drain Spindle
33	000016	O-Ring Filtergehäuse	O-Ring Filter Housing
34	004103	Inbusschraube	Allen screw
35	004104	Federscheibe	Lock washer
36	000069	Düse, Wasserabscheider	Jet Water Separator
37	008453	Dichtsatz Druckhalteventil	Seal Kit Pressure Maintaining Valve

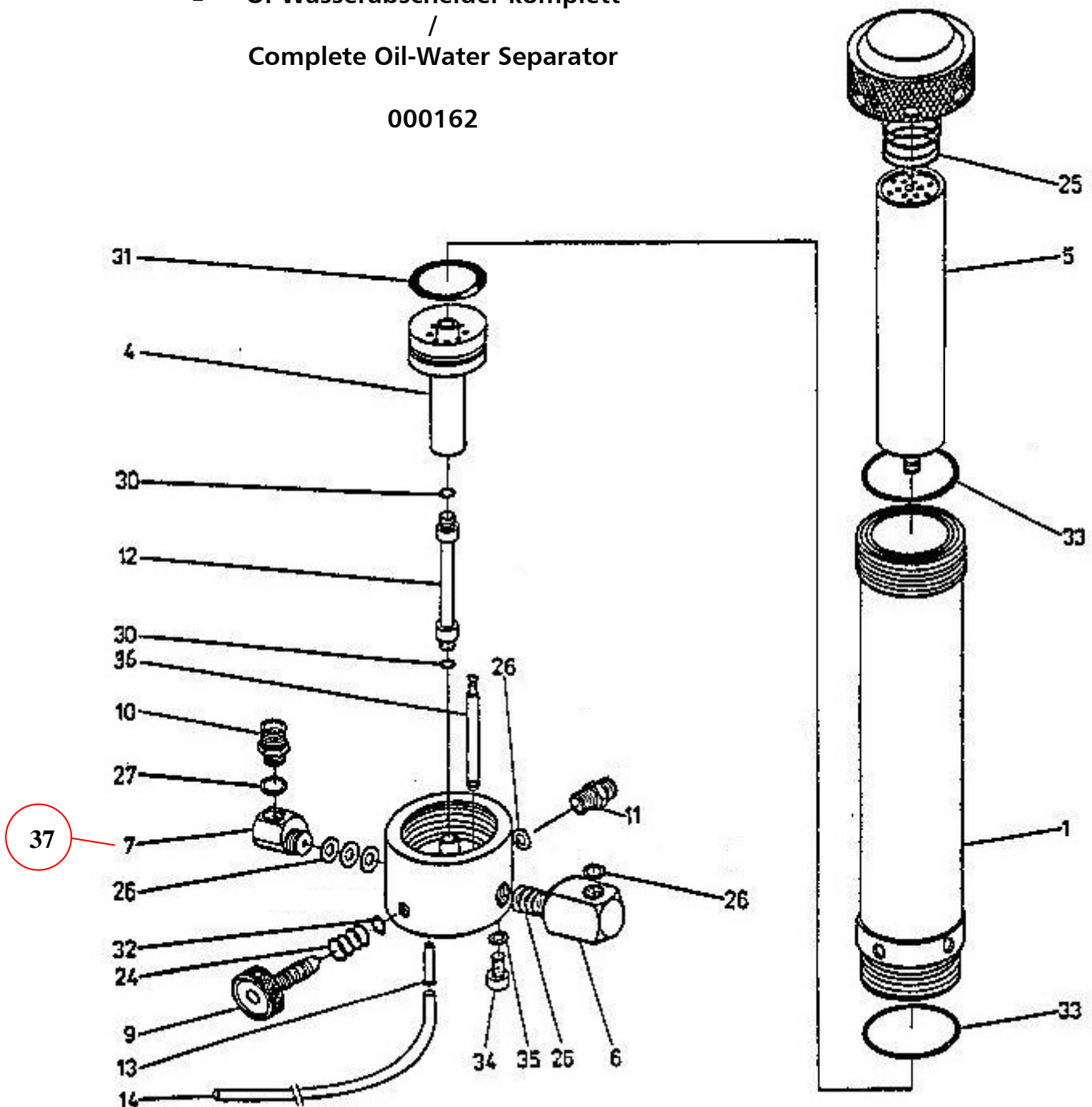
B

DETAILANSICHT / DETAILED VIEW

Filtergehäuse / Filter Housing

1 Öl-Wasserabscheider komplett
/ Complete Oil-Water Separator

000162



B



ERSATZTEILLISTE / SPARE PART LIST

Sicherheitsventil / Safety Valve

Best.-Nr. / Order No.	Benennung	Description
000234	Sockel für Sicherheitsventil mit TÜV/CE	Base f. Safety Valve TÜV
000553	Sicherheitsventil - Bauteilgeprüft	Safety Valve TÜV 225 bar
000554	Sicherheitsventil - Bauteilgeprüft	Safety Valve TÜV 250 bar
000555	Sicherheitsventil - Bauteilgeprüft	Safety Valve TÜV 300 bar
000556	Sicherheitsventil - Bauteilgeprüft	Safety Valve TÜV 330 bar
000557	Sicherheitsventil - Bauteilgeprüft	Safety Valve TÜV 350 bar
000838	Verschlussstopfen 1/4"	Plug 1/4"
000893	Doppelnippel 3/8X1/4FF33MS	Double Nipple 3/8X1/4FF33MS
001058	Zylinderschraube	Allen Bolt
001244	O-Ring	O-Ring, flange safety valve
001814	Sicherheitsventil - Bauteilgeprüft	Safety Valve
001815	Sicherheitsventil - Bauteilgeprüft	Safety Valve
001816	Sicherheitsventil - Bauteilgeprüft	Safety Valve
001817	Sicherheitsventil - Bauteilgeprüft	Safety Valve
007569	Kupferring	Copper Ring

C

DETAILANSICHT / DETAILED VIEW

Sicherheitsventil / Safety Valve

SV-Ventil mit CE-Prüfung

Safety Valve with CE

225 bar 001814

250 bar 001815

285/300 bar -----

330 bar 001816

350 bar 001817

Sonder-Einstelldrücke auf Anfrage! /
Special relieve pressures are available on
request!

SV-Ventil mit TÜV-Prüfung/

Safety Valve with TÜV

225 bar 000553

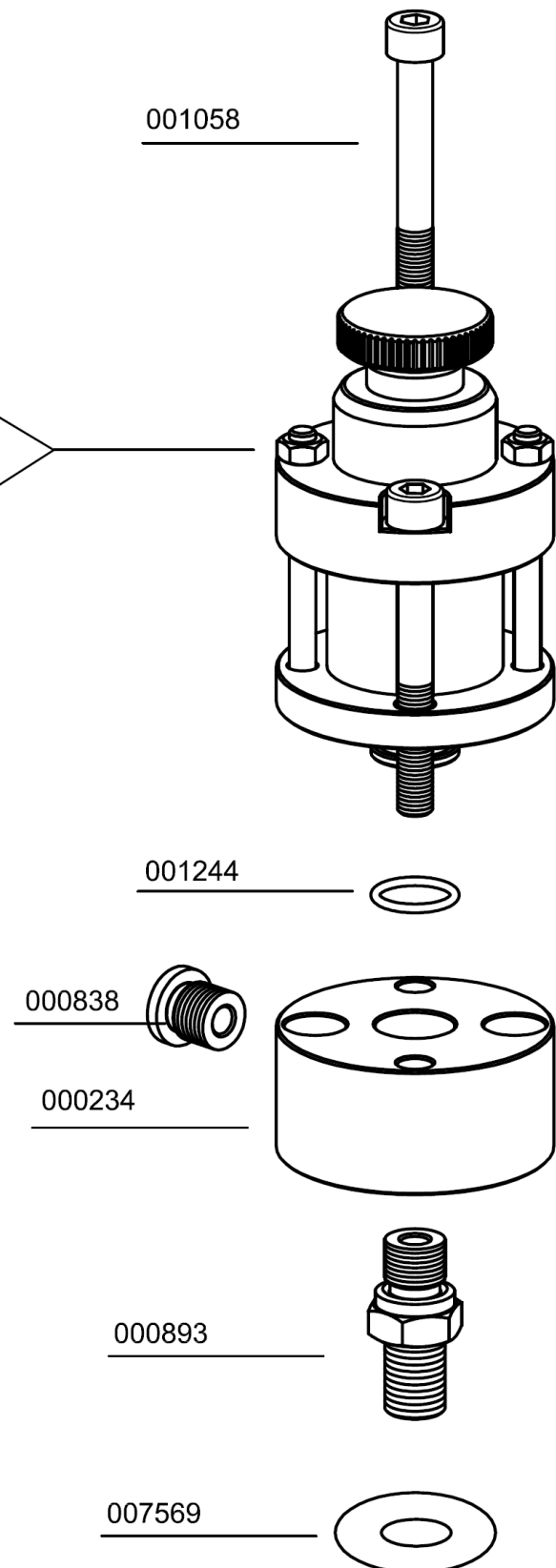
250 bar 000554

285/300 bar 000555

330 bar 000556

350 bar 000557

Sonder-Einstelldrücke auf Anfrage! /
Special relieve pressures are available on
request!



C



ERSATZTEILLISTE / SPARE PART LIST

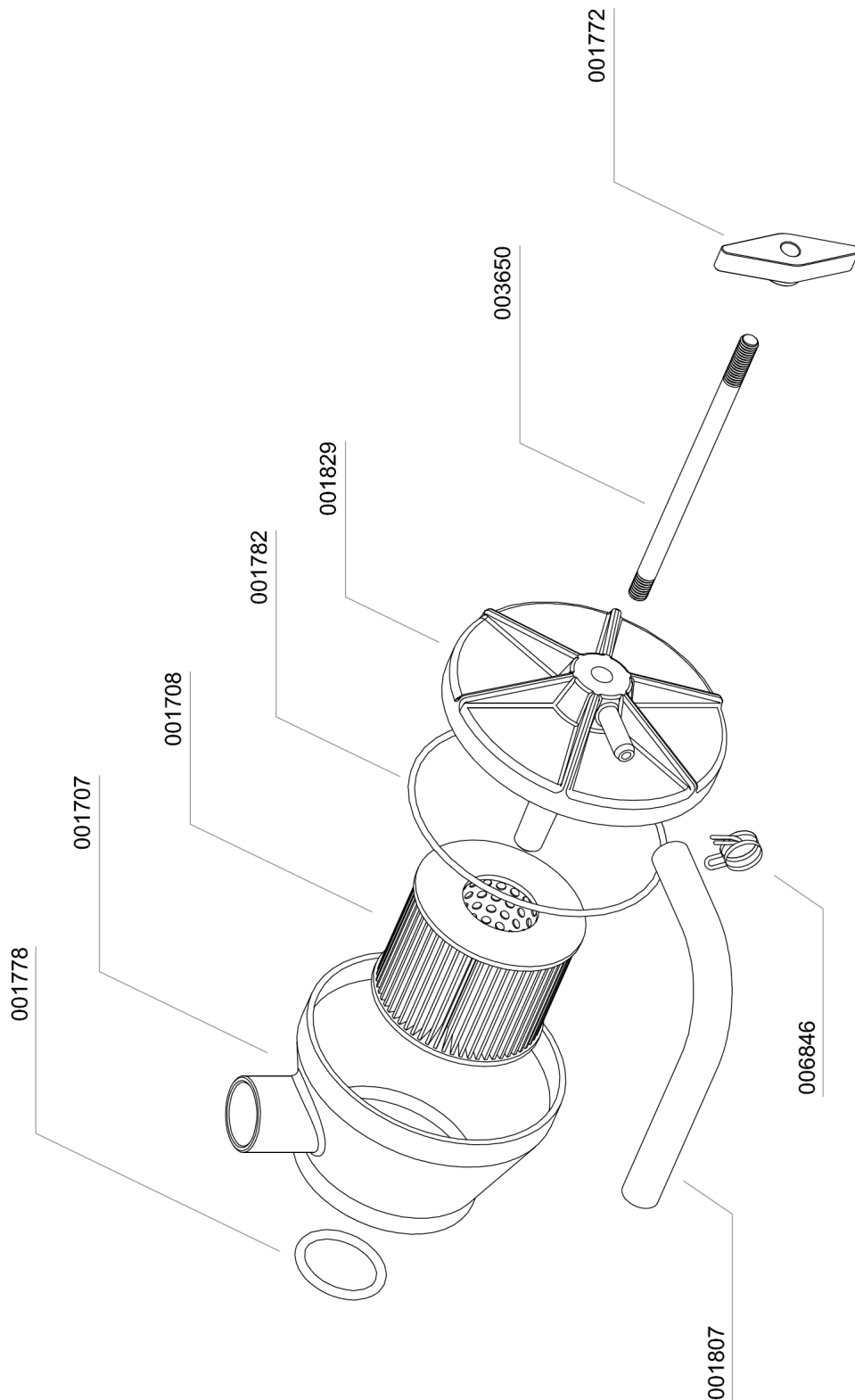
Baugruppe: Ansaugfilter / Assembly: Intake Filter

Best.-Nr. / Order No.	Benennung	Description
001707	Ansaugfiltergehäuse	Air Intake Filter Housing
001708	Ansaugfilterpatrone	Air Intake Filter Cartridge
001772	Flügelmutter, PVC-schwarz m. Messingein.	Winged Nut, PVC black
001778	O-Ring, Oeoleinfüllrohr	O-Ring, oil filler pipe
001782	O-Ring, Ansaugfiltergehäuse	O-Ring
001807	Schlauch (Kurbelgehäuse-Entlüftung)	Hose Crankcase Vent
001829	Deckel Ansaugfiltergehäuse	Cover air intake housing
003650	Stehbolzen, Messing	Threaded Stud, brass
006846	Schlauchselle	Hose clamp

B

DETAILANSICHT / DETAILED VIEW

Baugruppe: Ansaugfilter / Assembly: Intake Filter



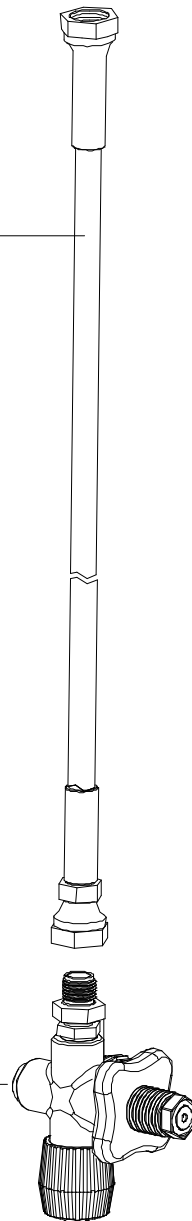
B

ERSATZTEILLISTE / SPARE PART LIST

Füllschlauch / Filling Hose

Best.-Nr. / Order No.	Benennung	Description
002811	Hochdruckschlauch 10L,	HP-Hose 10L

002811



BG : Füllventil
Ass: Filling Valve

C

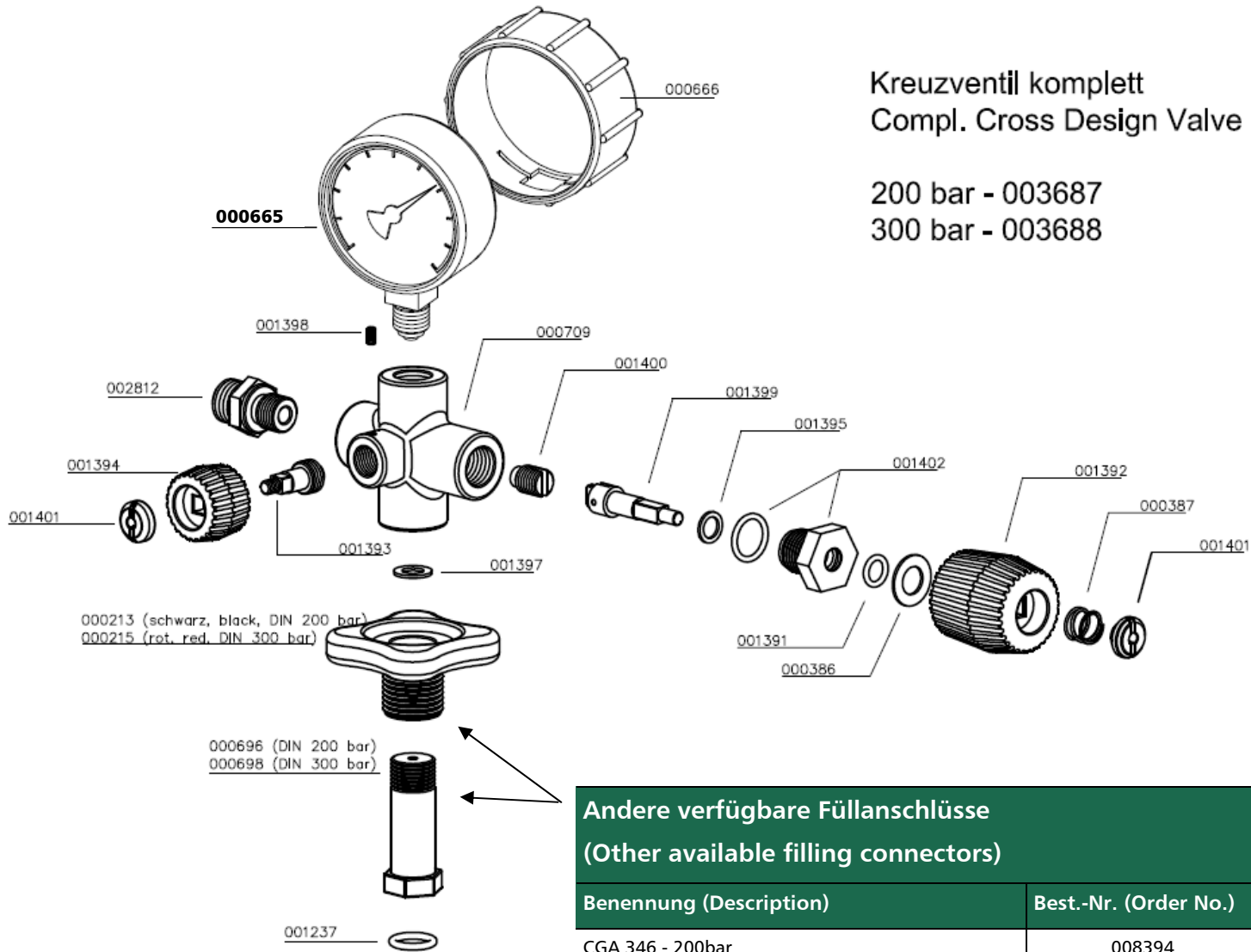


ERSATZTEILLISTE / SPARE PART LIST

Baugruppe: Kreuzventil / Assembly: Cross Design Valve

Best.-Nr. / Order No.	Benennung	Description
000213	Handrad, schwarz DIN 200bar	Hand Wheel DIN 200 bar, black
000215	Handrad rot DIN 300bar	Hand Wheel DIN 300 bar, red
000386	Gleitscheibe, Kreuzventil	Slide Washer
000387	Feder (Kreuzventil)	Coil Spring, cross d. valve
000665	Manometer Messing	Pressure Gauge, brass
000666	Manometerschutzkappe Ø63mm	Protector Pressure Gauge Ø63mm
000696	Füllanschluss o. Handrad 200bar	Filling Connector w/o handwheel 200bar
000698	Füllanschluss o. Handrad 300bar	Filling Connector w/o handwheel 300bar
000709	Füllventil Kreuzbauweise, kompl.	Filling Valve cross design
001237	O-Ring DIN Flaschenanschluss	O-Ring DIN filling connector
001391	O-Ring	O-Ring
001392	Füllhandrad Kreuzventil	Hand Wheel Filling Valve cross
001393	Entlüftungsspindel	Vent Spindle
001394	Entlüftungshandrad	Vent Hand Wheel
001395	Gleitscheibe, schwarz, Kreuzventil	Slide Washer, plastic black
001397	Kupferdichtung	Copper Seal Ring
001398	Madenschraube	Worm Screw
001399	Oberspindel	Adapter Shaft
001400	Dichtspindel, Kreuzventil	Seal Spindle Filling Valve
001401	Schlitzmutter	Slotted Nut
001402	Gehäuseverschraubung komplett mit O-	Filling Spindle Body c/w O-Rings
002812	Verschraubung, Edelstahl	Connection, S/S
003687	Füllventil Kreuzbauweise komplett 200bar	Filling Valve cross complete unit 200bar
003688	Füllventil Kreuzbauweise komplett 300bar	Filling Valve cross complete unit 300bar

C



Kreuzventil komplett
Compl. Cross Design Valve

200 bar - 003687
300 bar - 003688

**Andere verfügbare Füllanschlüsse
(Other available filling connectors)**

Benennung (Description)	Best.-Nr. (Order No.)
CGA 346 - 200bar	008394
CGA 347 - 300bar	006842
INT / Yoke - 200/232 bar	002307

DETAILANSICHT / DETAILED VIEW

Baugruppe: Kreuzventil / Assembly: Cross Design Valve





OPTIONS

C



Table of Contents

Auto Shut Down.....	2
Automatic Condensation Drain.....	5
Switch Over Device 200+300bar.....	7
Additional Filling Hose LW100	10



AUTO SHUT DOWN

C

AUTO SHUT DOWN

Operation:

The compressor has a control box with an integrated hour counter.

Before starting the compressor, press the blue condensate button for 5 seconds. This needs to be done to vent the residual pressure and the condensate. There's none blue condensate button? So the compressor isn't equipped with an automatic condensate drain. Please open the manual condensate drain valves carefully.

After this you can start the compressor by pushing the power button [1].



Remote control box c/w hour counter

Final pressure switch

The pressure switch shuts off the compressor automatically when the selected final pressure is reached. The final pressure switch is already adjusted to the corresponding cut-out pressure.

The pressure can be adjusted with the upper adjusting screw as follows:

Increasing cut-out pressure:

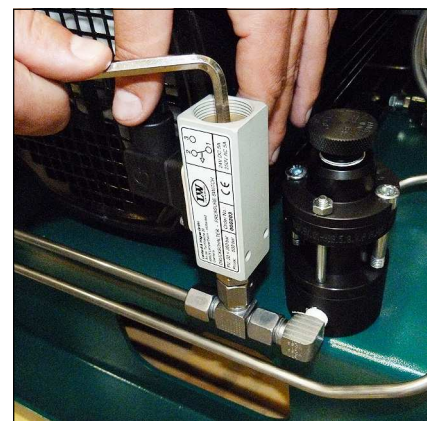
Turn the adjusting screw clockwise

Reducing cut-out pressure:

Turn the adjusting screw anti-clockwise

Adjust the pressure switch in steps of a quarter turn.

Restart the compressor after every adjustment step to verify the actual cut-out pressure.



Final pressure switch



Note

Do not adjust the final pressure switch to the safety valve pressure. The final pressure switch has to be adjusted to min. 10 bar below the safety valve pressure. Otherwise, the safety valve can open during operation. This considerably reduces the life of the safety valve.

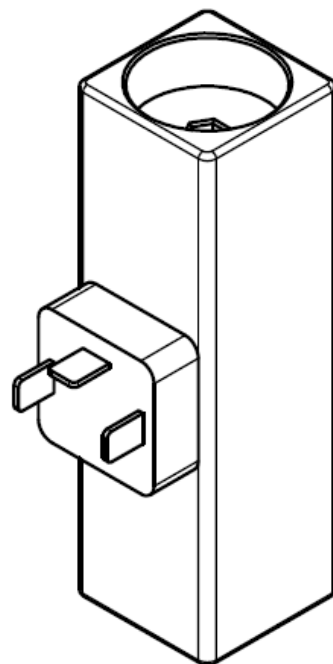
Setting Examples:

Safety valve	Max. Operating Pressure
225 bar	215 bar
250 bar	240 bar
330 bar	320 bar

AUTO SHUT DOWN

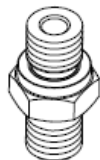
Druckschalter / Pressure Switch

Best.-Nr. / Order No.	Benennung	Description
000203	Druckschalter 50-350 bar	Pressure Switch 50-350 bar
000712	Verschraubung	Connection
000722	Winkelverschraubung	Elbow Connection



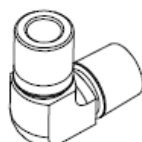
000203

Nur Abschaltautomatik
Only Auto-Stop



000712

Kondensatablassautomatik und Abschaltautomatik
Auto Drain and Auto-Stop



000722



AUTOMATIC CONDENSATION DRAIN

C

AUTOMATIC CONDENSATION DRAIN

Automatic condensation dump system



Note

The collected condensate can contain oil and has to be disposed according to regulations.

The LW 100 compressor can be optional equipped with an automatic condensation dump system.

A solenoid valve drains the 2nd and 3rd condensate separators every 20 minutes.

To test the system, press the blue condensate test drain button on the control box.

Oil / water separators

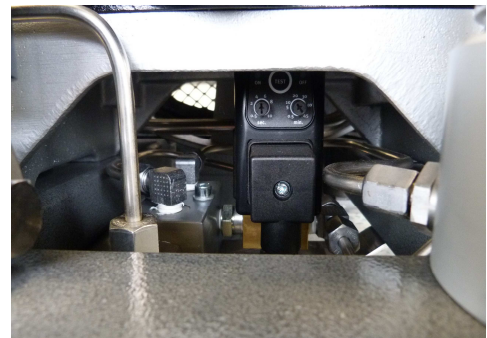
Condensate is separated after the 2nd and 3rd stage of compression. An electronic timer controlled the solenoid valve. The timer is located sideways at a small condensate valveblock and activates the dump valves about every 20 minutes.

To release the complete condensate through the black plastic hoses, we recommend using an 20 l container at least.

The drain noise can be kept to a minimum by using a silencer.



Additional Separator



Timer below the compressor block

Maintenance intervals

We recommend to clean oil and water separators every 250 operating hours or at least once a year, to check for corrosion damage and to replace o-rings if necessary.

All oil / water separators have an integrated sinter filter which has to be replaced every 500 operating hours.



SWITCH OVER DEVICE 200/300 BAR

C

SWITCH OVER DEVICE 200/300BAR

200 bar / 300 bar

This option allows the filling of 200 bar or 300 bar.

In this case, the compressor is equipped with a ball valve and a second final pressure safety valve and a second filling pressure gauge.

When opening the ball valve the second final stage safety valve is then approached, which directly lowers the pressure to 200 bar. So the system pressure will be reduced to 200 bar and so the 300 bar filling outlet does also only provide 200 bar.

The handwheels are colour-coded to allow an optical differentiation:

- 200 bar: black
- 300 bar: red



DIN handwheels 200 bar and 300 bar



Ball valve

SWITCH OVER DEVICE 200/300BAR

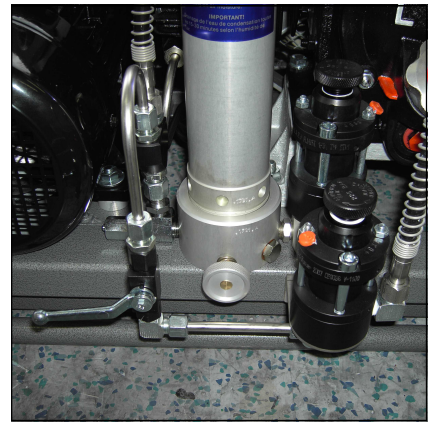
Operation:

300 bar

The ball valve should be fully closed to ensure the final pressure will be 300bar.

200 bar

The ball valve should be completely opened to reduce the pressure to 200 bar. The opened ball valve ensures an air flow to the 200 bar fill connector.

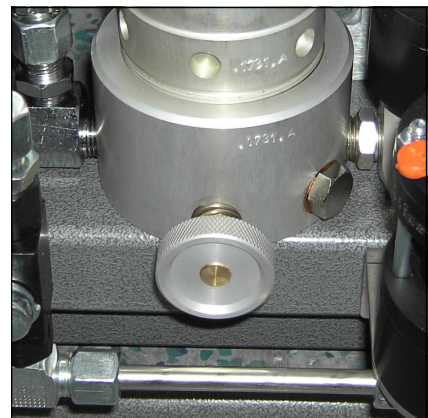


Switch over device system



ATTENTION

Operate ball valve only if filterhousing has been vented by using the drainage valve.



Drainage valve



ADDITIONAL FILLING HOSE

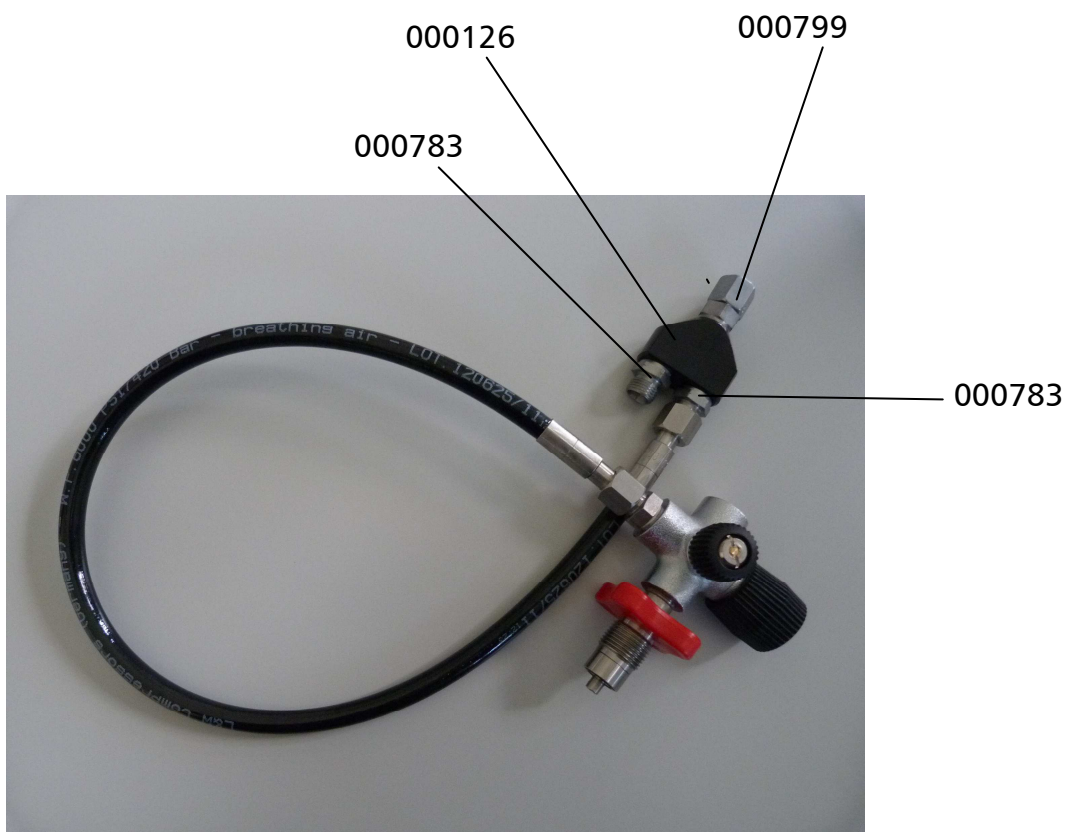
C

ADDITIONAL FILLING HOSE

The additional hose with filling valve allows to fill two bottles simultaneously. The hose with filling valve is available in 200 and 300 bar version.

Please refer to Chapter A for all information about the filling process.

Best.-Nr. / Order No.	Benennung	Description
000126	Y-Verteiler	Y-Connector
000783	Verschraubung	Connection
000799	Verschraubung mit fester Mutter	Connection with fixed nut





ATTACHMENT

D