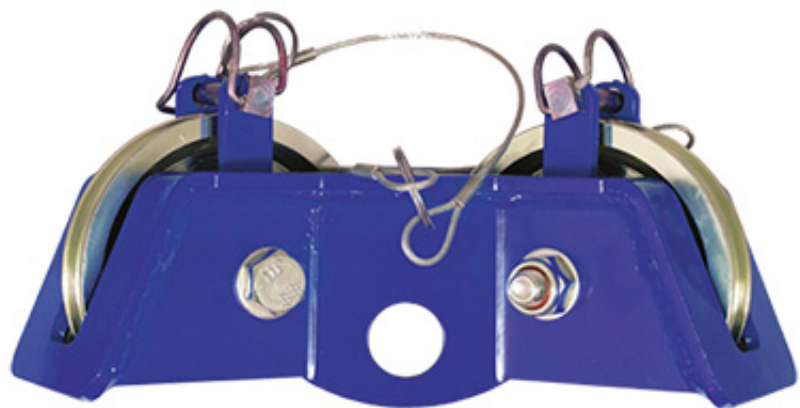


SAFETY TRIPOD
TM 13









DESCRIPTION

Safety Tripod TM 13 is a component of personal protective equipment against fall from height. It is used as portable anchor point. Safety tripod TM13 has to be used in conjunction with fall arrest equipment.

Safety tripod TM13 has been tested according to EN 795 and TS 16415 as a transportable temporary anchorage device type B.

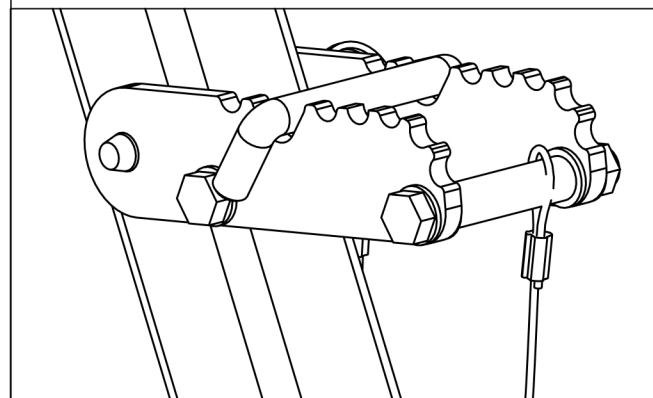
Safety Tripod TM13 provides protection for maximum two people at the same time.

Device head is equipped with two wheels provides rope guidance when RUP 502-A or RUP 503 or CR W300+AT172 devices are used.

Head is equipped with three Side Attachment Points.

Telescopic legs allow to adjust tripod's height (9 steps). Each of leg "A" are equipped with Legs Attachment Point for using with RUP 503 lifting devices or with CRW 300 retractable type fall arrester (with additional Adaptor - AT172). Leg "B" (without wheel on the head) is not equipped with attachment point.

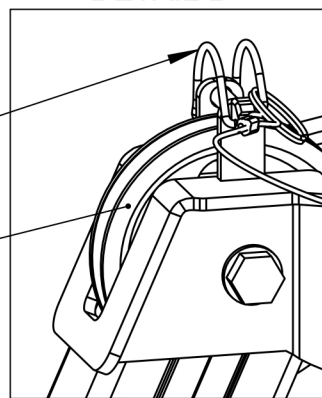
DETAIL A



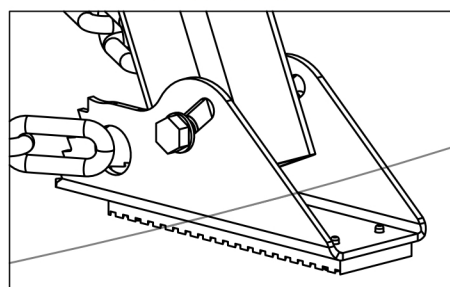
DETAIL B

Pin prevent working rope against accidental falling from wheel.

Built-in wheels for working rope guidance.



DETAIL C



Steel foot with holes for install support chain. Thorns for better transition on slippery surfaces (e.g. ice, snow ect.).

RANGES (legs fully retracted...extended)

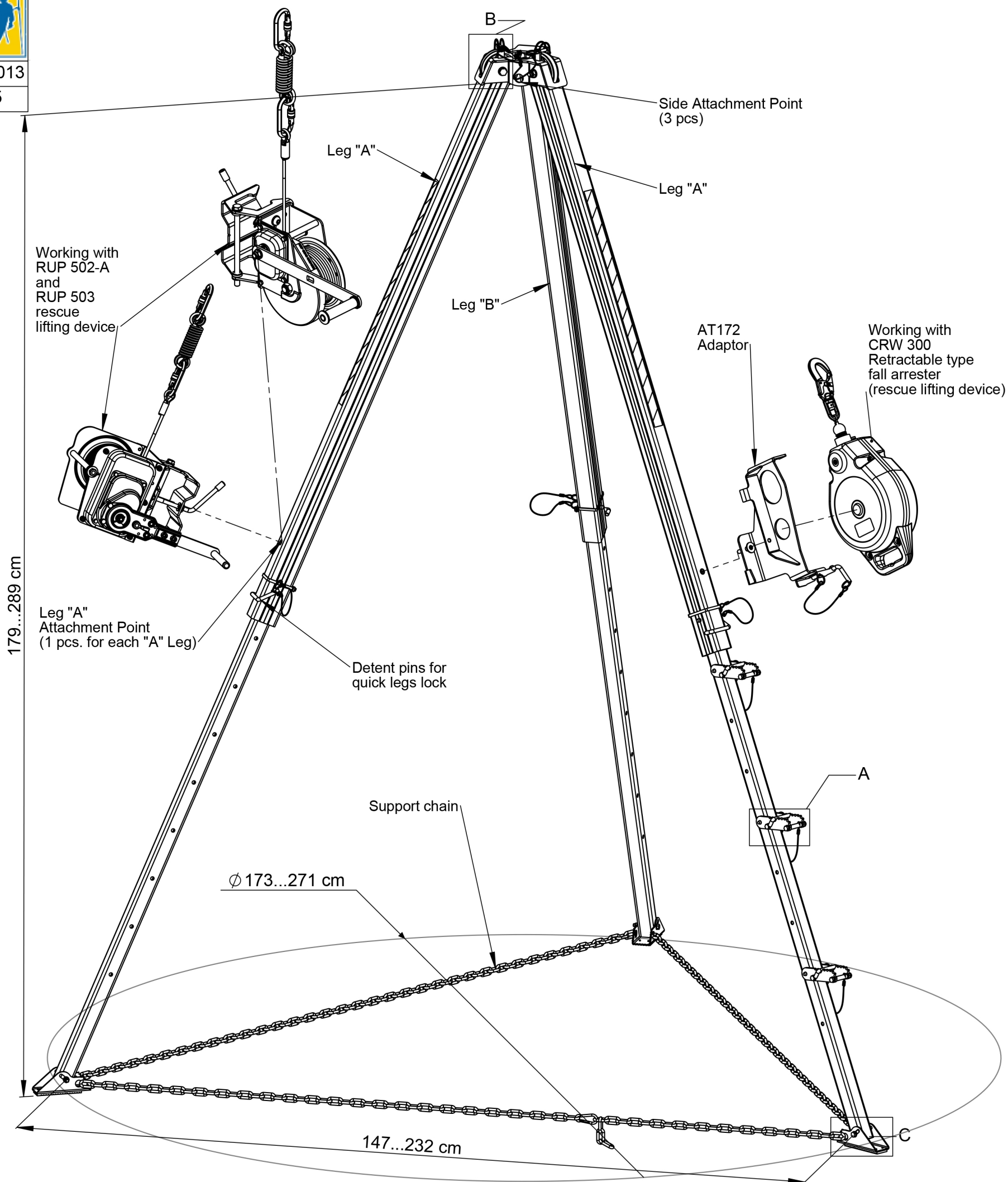
Working Height : 179...289 cm
Legs Spacing : 147...232 cm
Diameter over which it can deploy a tripod : 173...271 cm

PARAMETERS

- Working Load Limit : depends on using equipment,
- Protection for maximum two people at the same time,
- Available 5 Attachment Points,
- Aluminium alloy legs,
- Additional steps (min. 3 pcs.) - see Detail A,
- Head with built-in wheels for working rope guidance,
- Designed to use with: RUP 502-A / RUP 503 / CRW 300+AT172 rescue lifting devices.
- Shipping dimensions: 200 x 33 x 31 cm,
- Weight: 37 kg.

STANDARDS

EN 795:2013/B; TS 16415:2013/B





WINCH
RUP 503